



## Matrix33 Moving Head

Ref. nr.: 150.315



INSTRUCTION MANUAL  
GEBRUIKSAANWIJZING  
BEDIENUNGSANLEITUNG  
MANUAL DE INSTRUCCIONES  
MANUEL D'INSTRUCTIONS  
INSTRUKCJA OBSŁUGI

V1.1

## ENGLISH

Congratulations to the purchase of this Beamz product. Please read this manual thoroughly prior to using the product in order to benefit fully from all features.

Read the manual prior to using the product. Follow the instructions in order not to invalidate the warranty. Take all precautions to avoid fire and/or electrical shock. Repairs must only be carried out by a qualified technician in order to avoid electrical shock. Keep the manual for future reference.

- Prior to using the product, please ask advice from a specialist. When the unit is switched on for the first time, some smell may occur. This is normal and will disappear after a while.
- The unit contains voltage carrying parts. Therefore do NOT open the housing.
- Do not place metal objects or pour liquids into the product. This may cause electrical shock and malfunction.
- Do not place the product near heat sources such as radiators, etc. Do not place the unit on a vibrating surface. Do not cover the ventilation holes.
- The product is not suitable for continuous use.
- Be careful with the mains lead and do not damage it. A faulty or damaged mains lead can cause electrical shock and malfunction.
- When unplugging the product from a mains outlet, always pull the plug, never the lead.
- Do not plug or unplug the unit with wet hands.
- If the plug and/or the mains lead are damaged, they need to be replaced by a qualified technician.
- If the product is damaged to such an extent that internal parts are visible, do NOT plug the unit into a mains outlet and DO NOT switch the product on. Contact your dealer. Do NOT connect the product to a rheostat or dimmer.
- To avoid fire and shock hazard, do not expose the product to rain and moisture.
- All repairs should be carried out by a qualified technician only.
- Connect the product to an earthed mains outlet (220-240Vac/50Hz) protected by a 10-16A fuse.
- During a thunderstorm or if the product will not be used for a longer period of time, unplug it from the mains. The rule is: Unplug it from the mains when not in use.
- If the product has not been used for a longer period of time, condensation may occur. Let the unit reach room temperature before you switch it on. Never use the product in humid rooms or outdoors.
- During operation, the housing becomes very hot. Do not touch it during operation and immediately after.
- To prevent accidents in companies, you must follow the applicable guide lines and follow the instructions.
- Secure the product with an extra safety chain if the unit is ceiling mount. Use a truss system with clamps. Make sure nobody stands in the mounting area. Mount the effect at least 50cm away from inflammable material and leave at least 1 meter space on every side to ensure sufficient cooling.
- This product contains high intensity LEDs. Do not look into the LED light to prevent damage to your eyes.
- Do not repeatedly switch the product on and off. This shortens the life time.
- Keep the unit out of the reach of children. Do not leave the unit unattended.
- Do not use cleaning sprays to clean switches. The residues of these sprays cause deposits of dust and grease. In case of malfunction, always seek advice from a specialist.
- Only operate the product with clean hands.
- Do not force the controls.
- If the product has fallen, always have it checked by a qualified technician before you switch the product on again.
- Do not use chemicals to clean the unit. They damage the varnish. Only clean the product with a dry cloth.
- Keep away from electronic equipment that may cause interference.
- Only use original spares for repairs, otherwise serious damage and/or dangerous radiation may occur.
- Switch the product off prior to unplugging it from the mains and/or other equipment. Unplug all leads and cables prior to moving the product.
- Make sure that the mains lead cannot be damaged when people walk on it. Check the mains lead before every use for damages and faults!
- The mains voltage is 220-240Vac/50Hz. Check if power outlet match. If you travel, make sure that the mains voltage of the country is suitable for this product.
- Keep the original packing material so that you can transport the product in safe conditions



This mark attracts the attention of the user to high voltages that are present inside the housing and that are of sufficient magnitude to cause a shock hazard.



This mark attracts the attention of the user to important instructions that are contained in the manual and that he should read and adhere to.



**DO NOT LOOK DIRECTLY INTO THE LENS.** This can damage your eyes. Persons who are subject to epileptic attacks should be aware of the effects that this light effect may have on them.

The product has been certified CE. It is prohibited to make any changes to the product. They would invalidate the CE certificate and their guarantee!

**NOTE:** To make sure that the unit will function normally, it must be used in rooms with a temperature between 5°C/41°F and 35°C/95°F.



Electric products must not be put into household waste. Please bring them to a recycling centre. Ask your local authorities or your dealer about the way to proceed. The specifications are typical. The actual values can slightly change from one unit to the other. Specifications can be changed without prior notice.

*Do not attempt to make any repairs yourself. This would invalid your warranty. Do not make any changes to the product. This would also invalid your warranty. The warranty is not applicable in case of accidents or damages caused by inappropriate use or disrespect of the warnings contained in this manual. Beamz cannot be held responsible for personal injuries caused by a disrespect of the safety recommendations and warnings. This is also applicable to all damages in whatever form.*

## UNPACKING INSTRUCTION

**CAUTION!** Immediately upon receiving the product, carefully unpack the carton, check the contents to ensure that all parts are present, and have been received in good condition. Notify the shipper immediately and retain packing material for inspection if any parts appear damaged from shipping or the package itself shows signs of mishandling. Save the package and all packing materials. In the event that the product must be returned to the factory, it is important that the product be returned in the original factory box and packing.

If the device has been exposed to drastic temperature fluctuation (e.g. after transportation), do not switch it on immediately. The arising condensation water might damage your device. Leave the device switched off until it has reached room temperature.

## POWERSUPPLY

On the label on the backside of the product is indicated on this type of power supply must be connected. Check that the mains voltage corresponds to this, all other voltages than specified, the light effect can be irreparably damaged. The product must also be directly connected to the mains and may be used. No dimmer or adjustable power supply.



Always connect the device to a protected circuit (circuit breaker or fuse). Make sure the device has an appropriate electrical ground to avoid the risk of electrocution or fire.

## INSTALLATION



**CAUTION:** Please consider the respective national norms during the installation! The installation must only be carried out by an authorized employee or dealers!

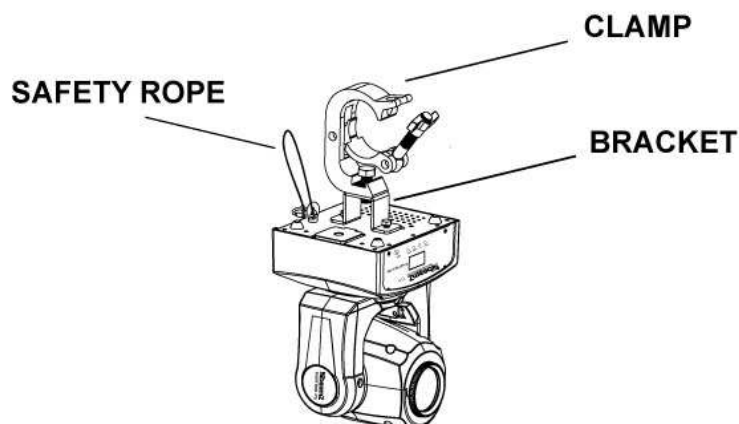


### Attention:

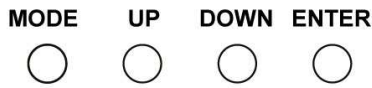
- The installation of the product has to be built and constructed in a way that it can hold 10 times the weight for 1 hour without any harming deformation.
- The installation must always be secured with a secondary safety attachment, e.g. an appropriate catch net. This secondary safety attachment must be constructed in a way that no part of the installation can fall down if the main attachment fails.
- Make sure the area below the installation place is free from unwanted persons during rigging, de-rigging and servicing.
- The operator has to make sure that safety-relating and machine-technical installations are approved by an expert before taking into operation for the first time and after changes before taking into operation another time.
- The operator has to make sure that safety-relating and machine-technical installations are approved by a skilled person once a year.
- The fixture should be installed in the position where persons cannot reach and where persons may walk by or be seated.



**CAUTION:** When installing the device, make sure there is no highly inflammable material (decoration articles, etc.) in between a distance of min 0.5 meter.



## DISPLAY



The control board offer several features: you can simple set the starting address, run the pre-programmed program or make a reset. The main menu is accessed by pressing the **Mode/Esc**-button, browse through the submenu by pressing **Up** or **Down**.

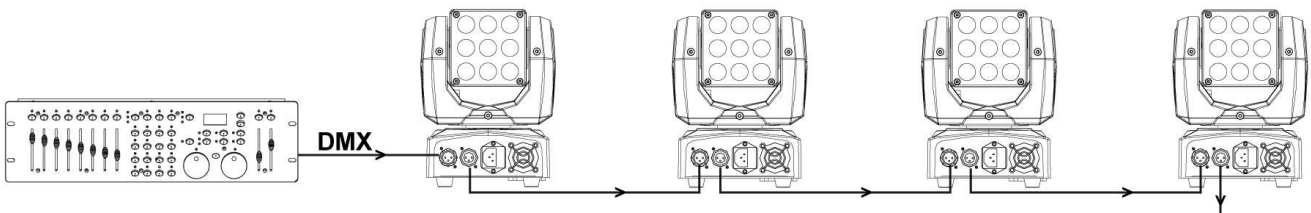
Press the **Enter**-button in order to select the desired menu.

You can change the selection by pressing **Up** or **Down**. Confirm every selection by pressing the **Enter**-button.

You can leave every mode by pressing the **Mode/Esc**-button. The functions provided are described later in this manual.

## DMX-512 CONNECTION

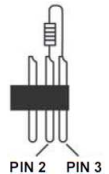
If you are using a standard DMX controller, you can connect the DMX output of the controller directly to the DMX input of the first unit in a DMX chain. Always connect the output of one unit with the input of the next unit until all units are connected.



### 5-pin XLR DMX Connectors.

Some manufactures use 5-pin DMX-512 data cables for DATA transmission in place of 3-pin. 5-pin DMX fixtures may be implemented in a 3-pin DMX line. When inserting standard 5-pin data cables in to a 3-pin line a cable adaptor must be used. The chart below details a proper cable conversion.

| 3-Pin XLR to 5-Pin XLR Conversion |                        |                     |
|-----------------------------------|------------------------|---------------------|
| Conductor                         | 3-Pin XLR Female (Out) | 5-Pin XLR Male (In) |
| Ground/Shield                     | Pin 1                  | Pin 1               |
| Data Compliment (- signal)        | Pin 2                  | Pin 2               |
| Data True (+ signal)              | Pin 3                  | Pin 3               |
| Not Used                          |                        | Pin 4 – Do Not Use  |
| Not Used                          |                        | Pin 5 – Do Not Use  |



At the last fixture, the DMX cable has to be terminated. Solder a 120 Ohm resistor between signal (-) and signal (+) into a 3-pin XLR connector and plug this into the DMX output of the last fixture in the chain.

## DMX ADDRESS AND DMX MODE

Press the **“UP”** or **“DOWN”** button until **“A001”** shows in the display and confirm with **“ENTER”**.

Now use the **“UP”** or **“DOWN”** button to select the DMX address mode or DMX channel mode.

### DMX address mode

Select **“Addr”** and confirm with **“ENTER”**.

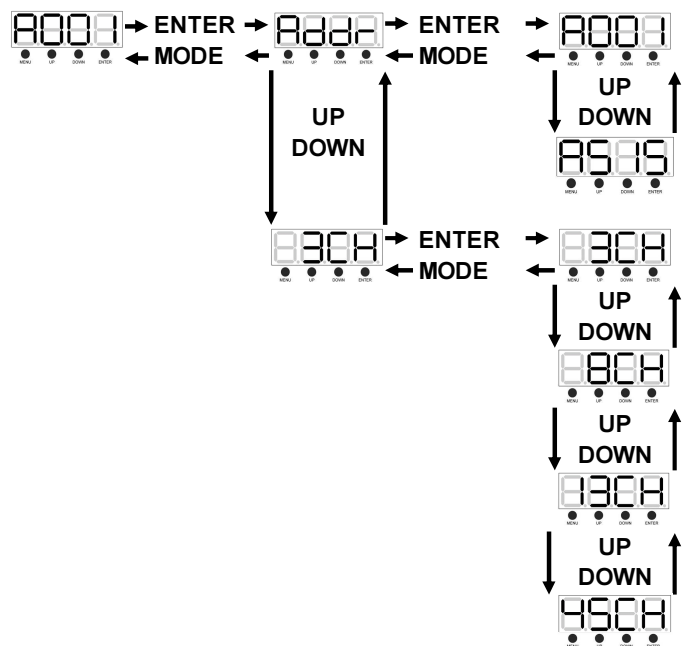
Now you can select the start address to press **“UP”** or **“DOWN”** button and choose a value between A001 and A512.

Confirm start address with **“ENTER”**, **“SAVE”** will showed in the display.

### DMX mode

To change the DMX Channel mode, use the **“UP”** or **“DOWN”** button to select the menu **“CH3”**. Press **“ENTER”** and use the **“UP”** or **“DOWN”** button to select DMX mode (3Ch, 8Ch, 13Ch, 45Ch).

Confirm DMX mode with **“ENTER”**, **“SAVE”** will showed in the display.

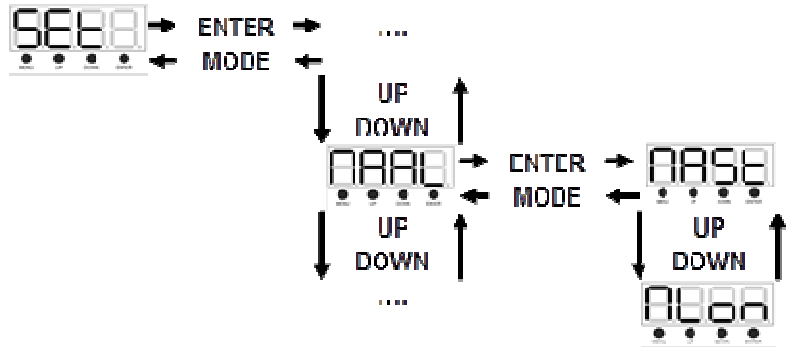


## MASTER/SLAVE OPERATION

1. Connect all fixtures with 3pin DMX cable, see above section "DMX-512 connection".

2. Press the "MODE" button, display shows "SET" and confirm by "ENTER". Use the "UP" or "DOWN" button until display shows "MAAL" and confirm by "ENTER" again.

3. You can choose between Master(MAS) or Slave (ALon). The first unit must be activate by Master and all following units must be activate by Slave. Confirm your selection with "ENTER". Now the slave units follows the master unit.



**Noted:** Any unit can be the "Master" or "Slave".

## REMOTE CONTROL

With the IR remote, you can operate the moving head easy and you have many functions.

To control the fixture you must aim the remote at the front of the fixture and be no more than 30 feet away.

### STAND BY:

To activate remote controller you have to switch the device in standby with the "STANDBY" key on the remote, the display now shows STOP.



### FULL ON:

You can then turn on the unit by pressing the "FULL ON" key, now the LED will light up. The display now show UHI.



The operation with the remote continued as follows:

### GOBO Set:

No function

### Color Setting:

Press "COLOR" and then press one of the number keys, select the color.

### Strobe Setting:

Press "STROBE" and then press one of the number keys, select Speed.

### Dimmer:

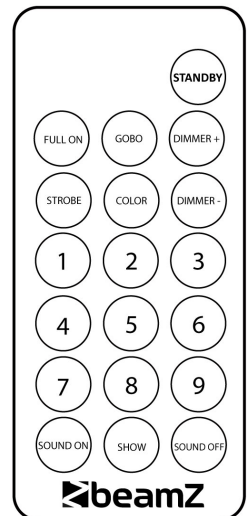
With the keys "DIMMER +" and "DIMMER -" you can adjust the light intensity.

### Setting the program:

Press the "SHOW" button followed by a number buttons for wanted program.

You can now press the "SOUND NO" key to make the device sound activated.

By "SOUND OFF" button the device switches back to auto mode.



### UHI setting

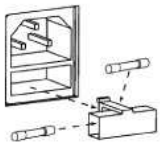
Press the "UP" or "Down" button you see on display "UHI" press "ENTER" use the "UP" or "Down" button until "SCN" is displayed, press "ENTER". You can the Dim, Stb (Strobe), Pan, Panf (Pan fine), Pans (Pan speed), Tilt, Tilf (Tilt fine), Tits (Tilt speed), Colr (Color) or Gobo change.

If you pan or tilt fixture change, the fixture always goes to this position. By default state fixture on 128 (home position). Use the "UP" or "Down" button to adjust.

## REPLACING THE FUSE

If the fuse is defective, replace the fuse with a fuse of the same type and value. Before replacing the fuse, unplug mains lead.

Procedure:



- Step 1: Open the fuse holder on the rear panel with a fitting screwdriver.
- Step 2: Remove the old fuse from the fuse holder.
- Step 3: Install the new fuse in the fuse holder.
- Step 4: Replace the fuse holder in the housing.

## FIXTURE CLEANING

The cleaning of internal and external optical lenses and/or mirrors must be carried out periodically to optimize light output. Cleaning frequency depends on the environment in which the fixture operates: damp, smoky or particularly dirty surrounding can cause greater accumulation of dirt on the unit's optics.

- Make sure the area below the installation place is free from unwanted persons during servicing
- Housings, fixations and installations spots( ceiling, truss, suspensions) should be totally free from any deformation
- The mains cables must be in impeccable condition and should be replaced immediately when even a small problem is detected
- In order to protect the fixture from overheat the cooling fans (if any) and ventilation openings should be cleaned monthly.
- The interior of the fixture should be cleaned annually using a vacuum cleaner or air-jet.
- Clean with soft cloth using normal glass cleaning fluid.
- Always dry the parts carefully.
- Clean the external optics at least every month. Clean the internal optics at least every 30/60 days.

**ATTENTION:** We strongly recommend internal cleaning to be carried out by qualified worker!

## TROUBLESHOOTING

This section describes a few common problems that may occur during operation and provides some suggestions for easy troubleshooting:

| Symptom  | Potential cause  | Remedies   |
|--|--|--|
| No light from fixture, or fans not working.                                  | Power supply issue, such as blown fuse, faulty connector or damaged cable.   | Check whether fixture's power indicator LED is lit.<br>Check all power connections and cables.<br>Replace fixture fuse.  |
| Fixture does not react to music beat   | Sound activation disabled.<br>Sound activation sensitivity too low for music source.   | Ensure that fixture is not connected to a DMX signal.<br>Adjust sound activation microphone sensitivity.<br>Tap microphone to check correct functionality. The fixture should react when in sound activation mode.   |
| One of the control channels is unresponsive or only responds intermittently. | DMX setup or DMX link fault.<br>Damaged step motor or cable connection between head and body.  | See next section.<br>Contact your Beamz by Tronios authorized distributor or service center for assistance.  |
| Fixture does not respond to DMX control.                                     | Incorrect DMX addressing.<br>Fault on DMX link due to damaged connector or cable, or potential interference from proximity to a high voltage installation. | Ensure that fixture's DMX address matches address set on DMX control device.<br>Check that fixture DMX check all DMX cables and connections.<br>Ensure that DMX link is terminated.<br>Check that all components on DMX link use standard DMX polarity.<br>Attempt to control the fixture with another DMX control device.<br>Move or shield link if it is close to an unshielded high-voltage installation. |

Hartelijk dank voor de aanschaf van dit Beamz product. Neemt U a.u.b. een paar momenten de tijd om deze handleiding zorgvuldig te lezen, aangezien wij graag willen dat u onze producten snel en volledig gebruikt.

Lees deze handleiding eerst door alvorens het product te gebruiken. Volg de instructies op anders zou de garantie wel eens kunnen vervallen. Neem ook altijd alle veiligheidsmaatregelen om brand en/of een elektrische schok te voorkomen. Tevens is het ook raadzaam om reparaties / modificaties e.d. over te laten aan gekwalificeerd personeel om een elektrische schok te voorkomen. Bewaar deze handleiding ook voor toekomstig gebruik.

- Bewaar de verpakking zodat u indien het apparaat defect is, dit in de originele verpakking kunt opsturen om beschadigingen te voorkomen.
- Voordat het apparaat in werking wordt gesteld, altijd eerst een deskundige raadplegen. Bij het voor de eerste keer inschakelen kan een bepaalde reuk optreden. Dit is normaal en verdwijnt na een poos.
- In het apparaat bevinden zich onder spanning staande onderdelen; open daarom NOOIT dit apparaat.
- Plaats geen metalen objecten en mors geen vloeistof in het effect. Dit kan leiden tot elektrische schokken of defecten.
- Toestel niet opstellen in de buurt van warmtebronnen zoals radiatoren etc. en niet op een vibrerende onder- grond plaatsen. Dek ventilatieopeningen nooit af.
- Het apparaat is niet geschikt voor continu gebruik.
- Wees voorzichtig met het netsnoer en beschadig deze niet. Als het snoer kapot of beschadigd is, kan dit leiden tot elektrische schokken of defecten.
- Als u de stekker uit het stopcontact neemt, trek dan niet aan het snoer, maar aan de stekker.
- Om brand of elektrische schok te voorkomen, dient u dit apparaat niet bloot te stellen aan regen of vocht.
- Verwijder of plaats een stekker nooit met natte handen resp. uit en in het stopcontact.
- Indien zowel de stekker en/of netsnoer als snoeringang in het apparaat beschadigd zijn dient dit door een vakman hersteld te worden.
- Indien het apparaat zo beschadigd is dat inwendige (onder)delen zichtbaar zijn mag de stekker NOOIT in het stopcontact worden geplaatst en het apparaat NOOIT worden ingeschakeld. Neem in dit geval contact op met de dealer.
- Sluit het apparaat nooit op een dimmer aan.
- Reparatie aan het apparaat dient te geschieden door een vakman of een deskundige.
- Sluit het apparaat alleen aan op een 220-240VAC / 50Hz (geaard) stopcontact, verbonden met een 10-16A meterkastgroep.
- Bij onweer altijd de stekker uit het stopcontact halen, zo ook wanneer het apparaat voor een langere tijd niet gebruikt wordt. Stelregel: Bij geen gebruik stekker verwijderen.
- Als u het apparaat lang niet gebruikt heeft en het weer wil gebruiken kan er condens ontstaan; laat het apparaat eerst op kamertemperatuur komen alvorens het weer in werking te stellen.
- Apparaat nooit in vochtige ruimten en buiten gebruiken.
- De behuizing wordt zeer warm, raak deze dan ook niet aan bij gebruik en direct na gebruik.
- Om ongevallen in bedrijven te voorkomen moet rekening worden gehouden met de daarvoor geldende richtlijnen en moeten de aanwijzingen/waarschuwingen worden gevolgd.
- Zorg voor een extra veiligheidsketting als het product op hoogte wordt gehangen. Gebruik een truss-systeem met montagehaak. Ga nooit onder het product staan bij ophanging. Monteer minimaal 50 cm van brandbare objecten en laat tenminste 1meter vrij aan weerszijden voor een deugdelijke ventilatie.
- Dit apparaat bezit een hoge intensiteit LED; kijk nooit in de LED om oogbeschadigingen te voorkomen.
- Het apparaat buiten bereik van kinderen houden. Bovendien mag het apparaat nooit onbeheerd gelaten worden
- Gebruik geen schoonmaakspray om de schakelaars te reinigen. Restanten van deze spray zorgen ervoor dat smeer en stof ophopen. Raadpleeg bij storting te allen tijde een deskundige.
- Zorg dat uw handen schoon zijn tijdens het gebruik.
- Gebruik geen overmatige kracht bij het bedienen van het apparaat.
- Bij een ongeval met dit product altijd eerst een deskundige raadplegen alvorens opnieuw te gebruiken.
- Tracht het apparaat niet schoon te maken met chemische oplossingen. Dit kan de lak beschadigen. Gebruik een droge doek om schoon te maken.
- Blijf uit de buurt van elektronische apparatuur die bromstoringen zouden kunnen veroorzaken.
- Bij reparatie dienen altijd originele onderdelen te worden gebruikt om onherstelbare beschadigingen en/of ontoelaatbare straling te voorkomen.
- Schakel eerst het apparaat uit voordat u het netsnoer verwijder. Verwijder netsnoer en aansluitsnoeren voordat u het apparaat gaat verplaatsen.
- Zorg ervoor dat het netsnoer niet beschadigd/defect kan raken wanneer mensen erover heen lopen. Het netsnoer vóór ieder gebruik controleren op breuken/defecten!
- In Nederland/België is de netspanning 220-240Vac/50Hz. Indien u reist (en u neemt het apparaat mee) informeer dan naar de netspanning in het land waar u verblijft.



Deze markering wordt weergegeven om u erop attent te maken dat een levensgevaarlijke spanning in het product aanwezig is en dat bij aanraking van deze delen een elektrische schok wordt verkregen.



Deze instructiemarkering wordt weergegeven om u erop te wijzen dat de instructie zeer belangrijk is om te lezen en/of op te volgen.



**KIJK NOOIT DIRECT IN DE LENS.** Dit kan uw ogen beschadigen. Daarnaast dienen epileptici rekening te houden met de effecten die dit toestel creëert. Dit apparaat is CE goedgekeurd ; er mogen geen veranderingen modificaties worden doorgevoerd ; deze kunnen de CE status te niet doen met alle gevolgen van dien. Tevens vervalt de garantie!

**OPMERKING:** Om zeker te zijn van een correcte werking, dient u dit apparaat in een ruimte te gebruiken waar de temperatuur tussen de 5°C/41°F en 35°C/95°F ligt.



Raadpleeg eventueel [www.wecycle.nl](http://www.wecycle.nl) en/of [www.vrom.nl](http://www.vrom.nl) v.w.b. het afdanken van elektronische apparaten in het kader van de WEEE-regeling. Vele artikelen kunnen worden gerecycled, gooi ze daarom niet bij het huisvuil maar lever ze in bij een gemeentelijk depot of uw dealer. Lever ook afgedankte batterijen in bij uw gemeentelijk depot of bij de dealer, zie [www.stibat.nl](http://www.stibat.nl)

*Alle (defecte) artikelen dienen gedurende de garantieperiode altijd retour te worden gezonden in de originele verpakking. Voer zelf geen reparaties uit aan het apparaat; in elk geval vervalt de totale garantie. Ook mag het apparaat niet eigenmachtig worden gemodificeerd, ook in dit geval vervalt de totale garantie. Ook vervalt de garantie bij ongevallen en beschadigingen in elke vorm t.g.v. onoordeelkundig gebruik en het niet in acht nemen van het gestelde in deze gebruiksaanwijzing. Tevens aanvaardt Beamz geen enkele aansprakelijkheid in geval van persoonlijke ongelukken als gevolg van het niet naleven van veiligheidsinstructies en waarschuwingen. Dit geldt ook voor gevolgschade in welke vorm dan ook.*

## UITPAKKEN

**LET OP!** Onmiddellijk na ontvangst, zorgvuldig uitpakken van de doos, controleer de inhoud om ervoor te zorgen dat alle onderdelen aanwezig zijn en zijn in goede staat zijn ontvangen. Bij transportschade of ontbreken van onderdelen onmiddellijk de verkopende partij inlichten. Bewaar de verpakking en het verpakkingsmateriaal. Indien het product moet worden teruggestuurd, is het belangrijk dat het product in originele verpakking wordt geretourneerd.

Als het apparaat is blootgesteld aan drastische temperatuurverschillen (bv. na het transport), schakel het apparaat niet onmiddellijk in. De ontstane condensatie kan het apparaat beschadigen. Zorg ervoor dat het apparaat op kamertemperatuur komt en steek vervolgens de voeding stekker in het stopcontact/wandcontactdoos.

## AANSLUITSPANNING

Op het label aan de achterzijde van het product staat aangegeven op welke netspanning deze moet worden aangesloten. Controleer of de netspanning hiermee overeenkomt, bij alle andere netspanningen dan aangegeven kan het apparaat onherstelbaar worden beschadigd. Tevens moet het apparaat direct op de netspanning worden aangesloten en mag géén dimmer of regelbare voeding worden gebruikt.



Sluit het apparaat altijd aan op een beschermd circuit (aardlekschakelaar of zekering). Zorg ervoor dat het apparaat voldoende elektrisch is geaard om het risico op elektrocutie of brand te vermijden.

## INSTALLATIE



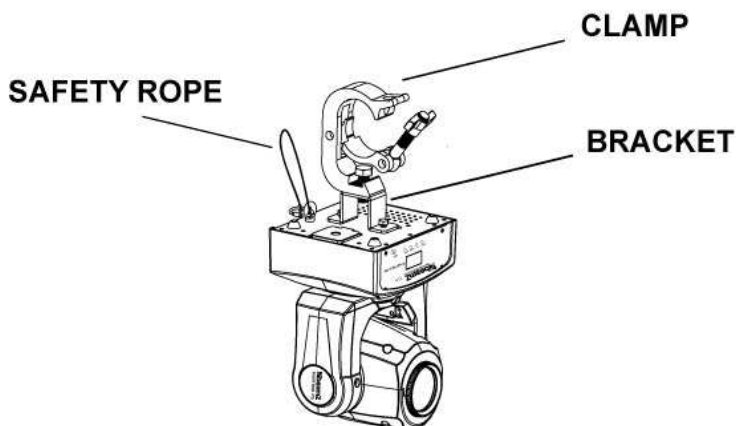
**LET OP:** Het installeren dient conform de wet en gestelde eisen te geschieden! Ook dient het installeren te geschieden door vakbekwaam personeel!



- De constructie van de ophanging dient zo te zijn dat deze 10 keer het gewicht per uur van het product kan dragen.
- Gebruik altijd de meegeleverde bevestigingsbeugel om het product op te hangen.
- Het product dient m.b.v. een montageklem (niet meegeleverd) aan de meegeleverde bevestigingsbeugel te worden bevestigd.
- Het product moet altijd worden gezeurd d.m.v. veiligheidskabel.
- Zorg ervoor dat geen enkel individu tijdens installatie, reparatie enz. onder het product staat of door kan lopen.
- De gebruiker is verantwoordelijk voor het product, de installatie en de veiligheid van het geheel. Is deze daartoe niet in staat dient altijd een externe deskundige in de arm genomen te worden die het geheel controleert en de verantwoordelijkheid op zich neemt.
- De gebruiker dient minstens eens per jaar het product en de installatie te laten controleren, op veiligheid, technische werking enz., door een externe deskundige.

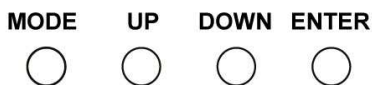


**LET OP:** Bij de installatie van het apparaat mag geen ontvlambaar materiaal aanwezig zijn (decoratie materiaal, enz.). Houd tenminste 50 cm afstand tot oppervlakken en andere apparatuur!





## DISPLAY



Het bedieningspaneel biedt verschillende mogelijkheden zoals: eenvoudige invoeren van het startadres, voorgeprogrammeerde programma selecteren of een reset. Het hoofdmenu wordt geopend door op de **Mode/Esc**-toets, blader door het submenu door **Up** of **Down**-toets.

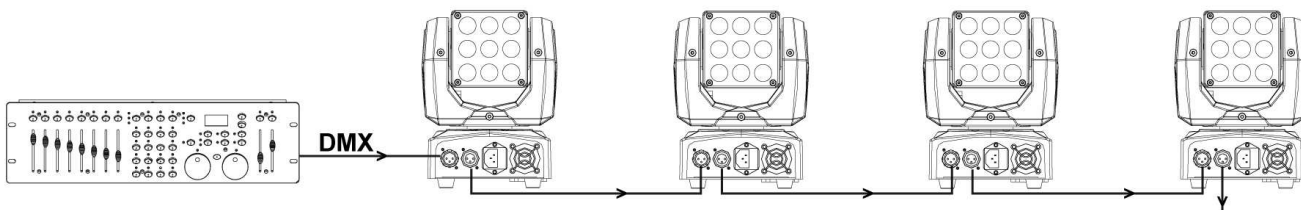
Druk op de **Enter**-toets om het gewenste menu te selecteren.

U kunt de selectie wijzigen door te drukken op de **Up** of **Down**-toets. Bevestig elke keuze door te drukken op de **Enter**-toets.

Je kunt elke modus verlaten door op de **Mode/Esc** -toets. De functies worden verderop in de handleiding beschreven.

## DMX-512 AANSLUITEN

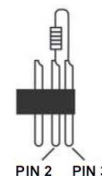
Als u gebruik maakt van een standaard DMX-lichtstuurtafel, kunt u de DMX uitgang van de stuurtafel rechtstreeks aansluiten op de DMX ingang van het eerste DMX apparaat. Sluit altijd de DMX uitgang aan op de eerst volgende DMX ingang van het volgende apparaat totdat alle apparaten zijn aangesloten.



### 5-polige XLR-connector.

Sommige fabrikanten gebruiken 5-polige DMX-kabels voor DATA-transmissie in plaats van 3-pin. 5-polige DMX-armaturen kan in een 3-polige DMX lijn worden uitgevoerd. Bij het plaatsen van standard 5-polige datakabels in een 3-polige DMX lijn, moet er een verloop worden gebruikt. Onderstaande tabel geeft de details voor de juiste kabelconversie.

| 3-Pin XLR to 5-Pin XLR Conversion |                        |                     |
|-----------------------------------|------------------------|---------------------|
| Conductor                         | 3-Pin XLR Female (Out) | 5-Pin XLR Male (In) |
| Ground/Shield                     | Pin 1                  | Pin 1               |
| Data Compliment (- signal)        | Pin 2                  | Pin 2               |
| Data True (+ signal)              | Pin 3                  | Pin 3               |
| Not Used                          |                        | Pin 4 – Do Not Use  |
| Not Used                          |                        | Pin 5 – Do Not Use  |



Opgelet bij het laatste apparaat, dient u de DMX-lijn af te sluiten met een eindweerstand. Soldeer een 120 Ohm weerstand tussen signaal (-) en signaal (+) in een 3-polige XLR connector en steek deze in de DMX uitgang van het laatste apparaat in de lijn.

## DMX ADDRESS AND DMX MODE

Druk op de enter toets totdat "DMX", "SET" op het display verschijnt.

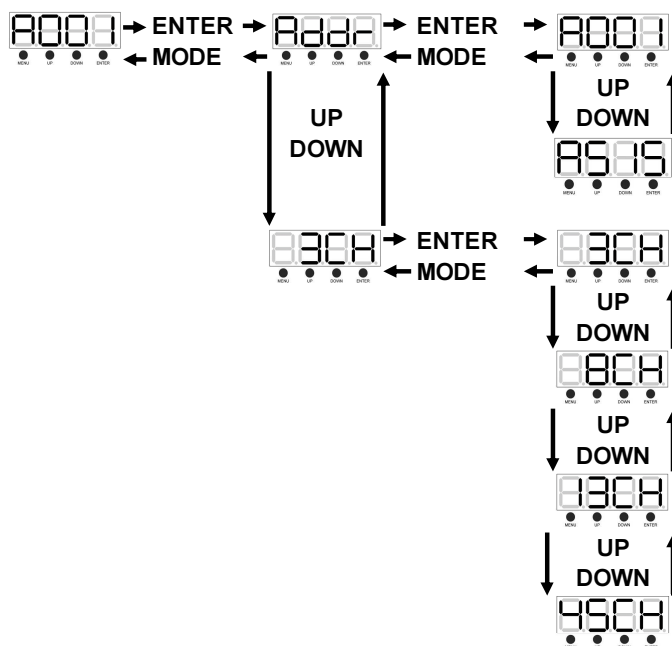
Gebruik nu de Up en Down knoppen om de "DMX" menu-item te selecteren en bevestig met **ENTER**.

"ADDR" verschijnt nu op de display, druk vervolgens nogmaals op "ENTER". U kunt nu de DMX startadres wijzigen met behulp van de toetsen "UP" en "DOWN" (A001 - A512). Bevestig met **ENTER**, "SAVE" wordt kort weergegeven op het display.

Om de DMX modus instellen, selecteert u het menu-item "DMX", druk op **ENTER** en gebruik vervolgens de toetsen "UP" en "DOWN" om het menu-item "CHS" te selecteren.

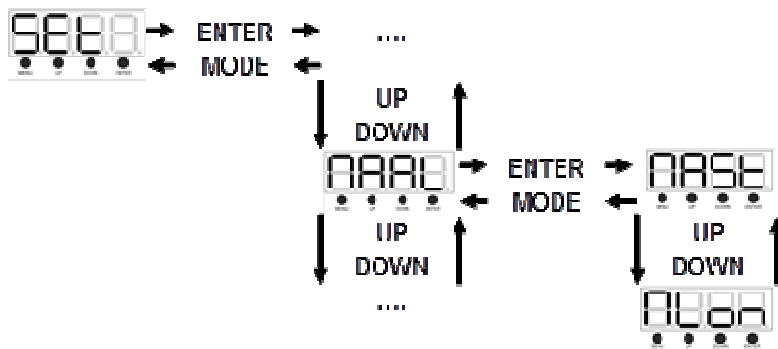
Druk op **ENTER** en gebruik de UP en DOWN toetsen om de gewenste DMX modus (3Ch, 8Ch, 13Ch, 45Ch) te selecteren. Bevestig met **ENTER**, "SAVE" wordt kort weergegeven op het display.

De synchrone besturing van meerdere spots (zelfde model) via een DMX besturingseenheid (bijvoorbeeld DMX sturing) kunnen worden bereikt door de spots een identieke DMX startadres en met behulp van DMX kabels te verbinden.



## MASTER/SLAVE OPERATION

Movinghead kunnen in serie worden geschakeld waar één unit als Master functioneert en alle anderen als Slaves. Slave units werken allemaal synchroon met de Master unit.



1. Druk op de **MODE** toets in het display komt "SET" te staan, druk op **ENTER** met de "UP" of "Down" toetsen tot "MAAL" wordt weergegeven, vervolgens **ENTER** u kunt kiezen uit "MASt" of "ALOn".

2. Druk op ENTER om te bevestigen.

**LET OP:** In een Master / Slave configuratie kan één movinghead als "MASt" instellen de volgende movinghead als "ALON". Movinghead werken allemaal synchroon met de Master unit.

## AFSTANDSBEDIENING

Om de moving head eenvoudig te bedienen via de meegeleverde afstandsbediening, moet u de afstandsbediening op de voorzijde van de moving head richten en de afstand mag niet meer dan 9 meter zijn.

### STAND BY:

Door op deze knop te drukken activeert u de IR-afstandsbediening. Het display geeft "STOP" weer.



### FULL ON:

Vervolgens kunt u het toestel aanzetten met de toets "FULL ON", nu zal de Leds aan gaan. In het display is nu UHI te zien.



### GOBO:

Geen functie

### PAN/TILT:

Na het activeren van de afstandsbediening door te drukken "STAND-BY" kunt u de Pan / Tilt posities te veranderen. De Tilt-positie kan worden gewijzigd met de 2 (boven) en 8 (omlaag) toetsen. De Pan-positie kan worden gewijzigd met de 4 (links) en 6 (rechts) toetsen.

### Dimmer:

"DIMMER +" en "DIMMER -" - Druk op deze knop om de lichtintensiteit aan te passen.

### STROBE:

Deze knop activeert de stroboscoop functie. Gebruik de 1-7 toetsen om de gewenste stroboscoop snelheid te selecteren.

### COLOR:

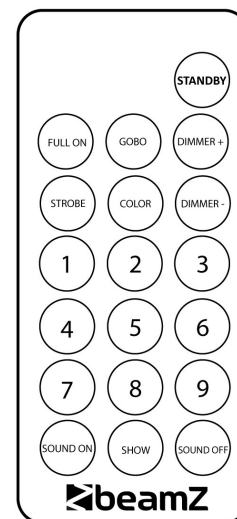
Door op deze knop te drukken kunt u een individuele kleur selecteren d.m.v. 1-4 toetsen. (1 Rood, 2 Groen, 3 Blauw, 4 Wit). Pas de lichtintensiteit aan via "DIMMER +" en "DIMMER -".

### SOUND ON & OFF:

Deze knoppen activeert en deactiveert de geluidsmodes.

### SHOW:

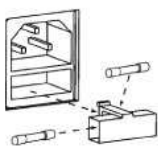
Door op deze knop te drukken kunt u een voorgeprogrammeerde show selecteren. Gebruik de 1-7 toetsen om het gewenste ingebouwde programma's te selecteren.



## VERVANGEN ZEKERING

Indien de zekering defect is, dient u de zekering te vervangen door een zekering van hetzelfde type en waarde. Voor het vervangen van de zekering, schakel eerst de stroom uit en volg de onderstaande stappen.

Procedure:



- Stap 1: Open de zekeringhouder op het achter paneel met een passende platte schroevendraaier.
- Stap 2: Verwijder de oude zekering uit de zekeringhouder.
- Stap 3: Installeer de nieuwe zekering in de zekeringhouder.
- Stap 4: Plaats de zekeringhouder in de behuizing.

## ONDERHOUD

Het reinigen van inwendige en uitwendige optische lenzen en / of spiegels moet regelmatig worden uitgevoerd om de lichtopbrengst te optimaliseren. Reinigingsfrequentie is afhankelijk van de omgeving waarin het armatuur wordt gebruikt: een klamme, rokerige of bijzonder vuile omgeving kan een grotere opeenhoping van vuil veroorzaken op de optische uitrusting.

- Zorg er voor dat gedurende het onderhoud zich geen individuen bevinden onder het apparaat.
- Schakel het apparaat uit, trek de stekker uit het stopcontact en wacht tot het apparaat is afgekoeld.
- Behuizing, bevestiging en installaties (plafond, truss, ophanging) moeten van deugdelijke aard zijn.
- Het netsnoer mag niet beschadigd zijn en moet direct vervangen worden, ook bij kleine defecten.
- Om het apparaat te beschermen tegen oververhitting dienen ventilatoren en ventilatie openingen iedere maand gereinigd te worden.
- De lens en spiegels dienen periodiek gereinigd te worden. Deze periode is afhankelijk van de aanwezige viezigheid.
- Alleen reinigen met een droge doek, gebruik geen reinigingsmiddelen.
- Modificaties door de fabrikant worden zonder u op de hoogte te brengen doorgevoerd.

**LET OP:** Wij adviseren u het reinigen en servicen van het apparaat uit te laten voeren door een vakbekwaam persoon.

## HET OPLOSSEN VAN PROBLEMEN

Dit hoofdstuk beschrijft een aantal veel voorkomende problemen die zich kunnen voordoen tijdens de bediening en biedt een aantal suggesties voor het eenvoudig oplossen van problemen:

| Symptoom  | Mogelijke oorzaak  | Verhelpen   |
|---|--|---|
| Geen licht uit movinghead, of ventilatoren werken niet. | Voeding probleem, Zoals doorgebrande zekering, defect connector of beschadigde kabel.  | Controleer andere fixture's.<br>Voeding led aan.<br>Controleer de voeding en kabels.<br>Vervang de zekering.  |
| Movinghead reageert niet op de muziek.                  | Geluid uitgeschakeld.<br>Geluid gevoeligheid te laag voor de geluidsbron.  | Zorg ervoor dat de Movinghead niet verbonden is met DMX signaal. Pas de gevoeligheid van de microfoon aan.<br>Tik op de microfoon om te controleren of het juist functioneert.<br>De movinghead moet reageren als deze in de geluid mode staat.   |
| Eén van de channels reageert niet of met tussenpozen.   | DMX setup of DMX verbinding is slecht.<br>Defecte stappenmotor of kabelverbinding tussen head en body.   | Zie de volgende stap.<br>Neem contact op met Beamz door Tronios erkende distributeur of service center voor assistentie.  |
| Movinghead reageert niet op DMX controle.               | Onjuiste DMX adressering.<br>Storing op de DMX lijn te wijten aan beschadigde connector, kabel, of mogelijke storingen van nabijheid van een hoogspanning installatie. | De DMX adres van de movinghead moet overeenkomen met het adres die ingesteld staat op de stuurtafel.<br>Is dit niet zo controleer de DMX kabels en verbindingen.<br>Zorg ervoor dat DMX link is beëindigd.<br>Controleer of de movinghead op DMX verbinding staat.<br>Proberen van de controle movinghead met een ander DMX stuurtafel.<br>Verplaats de movinghead als deze nabij een onbeschermd hoogspanning installatie staat. |

Vielen Dank für den Kauf dieses Beamz gerat. Nehmen Sie sich einen Augenblick Zeit, um diese Anleitung sorgfältig durchzulesen, damit sie die Möglichkeiten, die unser Produkt bietet, sofort voll ausnutzen können. Lesen Sie erst die Anleitung vollständig vor der ersten Inbetriebnahme durch. Befolgen Sie die Anweisung, da sonst jeglicher Garantieanspruch verfällt. Treffen Sie stets alle Sicherheits-vorkehrungen um Feuer und/oder Stromschlag zu vermeiden. Reparaturen dürfen nur von qualifiziertem Fachpersonal ausgeführt werden, um Stromschlag zu vermeiden. Bewahren Sie diese Anleitung für spätere Bezugnahme auf.

- Bewahren Sie die Verpackung auf, um das Gerät im Bedarfsfall sicher transportieren zu können.
- Bevor das Gerät in Betrieb genommen wird, muss es erst von einem Fachmann überprüft werden. Bei der ersten Benutzung kann etwas Geruch auftreten. Das ist normal und verschwindet nach einer Weile
- Das Gerät enthält unter Spannung stehende Teile. Daher NIEMALS das Gehäuse öffnen.
- Keine Metallgegenstände oder Flüssigkeiten ins Gerät dringen lassen. Sie können zu Stromschlag und Defekten führen.
- Gerät nicht in der Nähe von Wärmequellen wie Heizkörpern aufstellen. Nicht auf eine vibrierende Oberfläche stellen. Niemals die Belüftungsschlitze abdecken.
- Das Gerät ist nicht für Dauerbetrieb geeignet.
- Gehen Sie vorsichtig mit dem Netzkabel um und beschädigen Sie es nicht. Eine beschädigte Netzschnur kann zu Stromschlag und Defekten führen.
- Wenn Sie das Gerät vom Netz trennen, immer am Stecker ziehen, niemals an der Schnur.
- Um Feuer und Stromschlag zu vermeiden, das Gerät vor Regen und Feuchtigkeit schützen.
- Den Stecker nie mit nassen Händen in eine Netzsteckdose stecken oder abziehen.
- Wenn sowohl der Stecker und/oder die Netzschnur bzw. der Kabeleintritt ins Gerät beschädigt sind, müssen sie von einem Fachmann repariert werden.
- Wenn das Gerät so beschädigt ist, dass Innenteile sichtbar sind, darf der Stecker NICHT in eine Steckdose gesteckt werden und das Gerät darf NICHT eingeschaltet werden. Wenden Sie sich in dem Fall an Ihren Fachhändler. Das Gerät darf nicht an einen Dimmer angeschlossen werden.
- Reparaturen dürfen nur von einem Fachmann oder Sachverständigen ausgeführt werden.
- Das Gerät nur an eine geerdete 10-16A Netzsteckdose mit 220-240V AC/50Hz Spannung anschließen.
- Bei Gewitter oder längerem Nichtgebrauch den Netzstecker abziehen. Die Regel gilt: Bei Nichtgebrauch Netzstecker abziehen.
- Wenn das Gerät längere Zeit nicht benutzt wurde, kann sich Kondenswasser gebildet haben. Lassen Sie das Gerät erst auf Zimmertemperatur kommen, bevor Sie es einschalten. Das Gerät nicht in feuchten Räumen oder im Freien benutzen.
- Das Gehäuse wird sehr warm. Während des Betriebs und gleich danach nicht das Gehäuse anfassen.
- Um Unfällen in der Öffentlichkeit vorzubeugen, müssen die geltenden Richtlinien beachtet und die Anweisungen/Warnungen befolgt werden.
- Wenn das Gerät an der Decke befestigt werden soll, muss es mit einer zusätzlichen Sicherheitskette abgesichert werden. Benutzen Sie ein Traversensystem mit Haken. Während der Montage darf sich niemand im Bereich darunter aufhalten. Das Gerät muss mindestens 50cm von brennbaren Materialien entfernt angebracht werden. Lassen Sie einen Mindestabstand von 1m an jeder Seite des Geräts frei, um ausreichende Kühlung zu gewährleisten.
- Das Gerät besitzt eine hochintensive LED. Niemals direkt in die LED blicken, um die Augen nicht zu beschädigen.
- Niemals das Gerät kurz hintereinander ein- und ausschalten. Dadurch verkürzt sich die Lebensdauer erheblich.
- Das Gerät außerhalb der Reichweite von Kindern halten. Das Gerät niemals unbeaufsichtigt lassen.
- Die Regler nicht mit Reinigungssprays reinigen. Diese hinterlassen Rückstände, die zu Staub- und Fettansammlungen führen. Bei Störungen immer einen Fachmann um Rat fragen.
- Das Gerät nur mit sauberen Händen bedienen.
- Das Gerät nicht mit Gewalt bedienen.
- Nach einem Unfall mit dem Gerät immer erst einen Fachmann um Rat fragen, bevor Sie es wieder einschalten.
- Keine chemischen Reinigungsmittel benutzen, die den Lack beschädigen. Das Gerät nur mit einem trockenen Tuch abwischen.
- Nicht in der Nähe von elektronischen Geräten benutzen, die Brummstörungen verursachen können.
- Bei Reparaturen nur die Original-Ersatzteile verwenden, um starke Schäden und/oder gefährliche Strahlungen zu vermeiden.
- Bevor Sie das Netz- und/oder Anschlusskabel abziehen, erst das Gerät ausschalten. Netz- und Anschlusskabel abziehen, bevor Sie das Gerät umstellen.
- Sorgen Sie dafür, dass das Netzkabel nicht beschädigt werden kann, wenn Menschen darüber laufen. Das Netzkabel vor jedem Einsatz auf Brüche/Schadstellen überprüfen.
- In Deutschland beträgt die Netzspannung 220-240V AC / 50Hz. Wenn Sie das Gerät auf Reisen mitnehmen, prüfen Sie, ob die örtliche Netzspannung den Anforderungen des Geräts entspricht.



Dieses Zeichen weist den Benutzer darauf hin, dass lebensgefährliche Spannungen im Gerät anliegen, die bei Berührung einen Stromschlag verursachen.



Dieses Zeichen lenkt die Aufmerksamkeit des Benutzers auf wichtige Hinweise in der Anleitung hin, die unbedingt eingehalten werden müssen.



**NIEMALS DIREKT IN DIE LINSE BLICKEN.** Dies kann Ihre Augen verletzen. Epileptiker müssen die Auswirkungen berücksichtigen, die die Effekte dieses gerat auf ihre Gesundheit haben können. Das Gerät ist CE geprüft. Daher dürfen KEINE Veränderungen vorgenommen werden. Außerdem verfällt bei Veränderungen am Gerät jeglicher Garantieanspruch!

**HINWEIS:** Um einen einwandfreien Betrieb zu gewährleisten, muss die Raumtemperatur zwischen 5° und 35°C liegen.



Tronios BV Registrierungsnummer : DE51181017 (ElektroG). Dieses Produkt darf am Ende seiner Lebensdauer nicht über den normalen Haushaltsabfall entsorgt werden, sondern muss an einem Sammelpunkt für das Recycling abgegeben werden. Hiermit leisten Sie einen wichtigen Beitrag zum Schutze unserer Umwelt.  
Tronios BV Registrierungsnummer : 21003000 (BatterieG). (Lithium)Batterien und Akkupacks sollten nur im entladenen Zustand in die Altbatteriesammelgefäße bei Handel und bei öffentlich-rechtlichen Entsorgungsträgern gegeben werden. Bei nicht vollständig entladenen Batterien Vorsorge gegen Kurzschluß treffen durch Isolieren der Pole mit Klebestreifen. Der Entnutzer ist zur Rückgabe von Altbatterien gesetzlich verpflichtet.

Reparieren Sie das Gerät niemals selbst und nehmen Sie niemals eigenmächtig Veränderungen am Gerät vor. Sie verlieren dadurch den Garantieanspruch. Der Garantieanspruch verfällt ebenfalls bei Unfällen und Schäden in jeglicher Form, die durch unsachgemäßen Gebrauch und Nichtbeachtung der Warnungen und Sicherheitshinweise in dieser Anleitung entstanden sind. Beamz ist in keinem Fall verantwortlich für persönliche Schäden in Folge von Nichtbeachtung der Sicherheitsvorschriften und Warnungen. Dies gilt auch für Folgeschäden jeglicher Form.

## AUSPACKEN

Packen Sie das Gerät sofort nach Empfang aus und prüfen Sie den Inhalt. Wenn Teile fehlen oder beschädigt sind, benachrichtigen Sie sofort den Spediteur und bewahren Sie die Verpackung auf. Falls ein Gerät ins Werk zurückgeschickt werden muss, ist es wichtig, dass es in der Originalverpackung versandt wird.

Das Gerät darf nicht in Betrieb genommen werden, nachdem es von einem kalten in einen warmen Raum gebracht wurde. Das dabei entstehende Kondenswasser kann unter Umständen Ihr Gerät zerstören. Lassen Sie das Gerät solange uneingeschaltet, bis es Zimmertemperatur erreicht hat!

## NETZANSCHLUSS

Die benötigte Versorgungsspannung steht auf dem Typenschild auf der Rückseite des Geräts. Die angegebenen Stromwerte entsprechen einem Durchschnittswert bei normalem Betrieb. Alle Geräte müssen direkt ans Netz angeschlossen werden und dürfen nicht über Dimmerpacks geschaltet werden. Bevor Sie eine Spannung anlegen, prüfen Sie, ob der Wert der zulässigen Spannung entspricht.



Verbinden Sie immer das Gerät an einem geschützten Schaltkreis (Leistungsschalter oder Sicherung). Stellen Sie sicher, das Gerät ist elektrisch geerdet, um das Risiko eines Stromschlags oder Feuer zu vermeiden.

## INSTALLATION



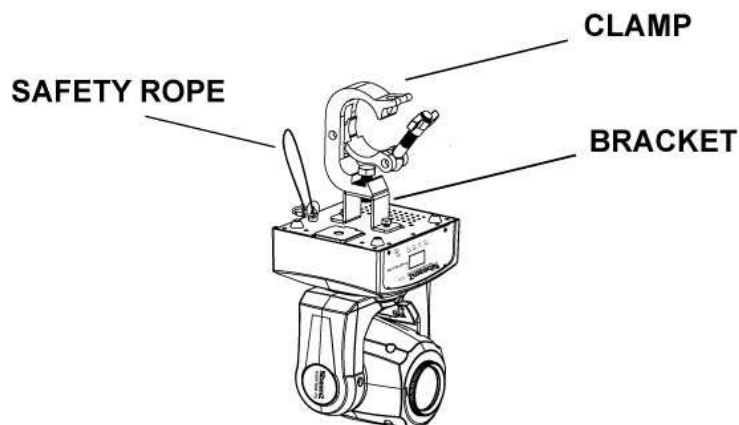
**VORSICHT:** Bitte beachten Sie die entsprechende nationale Gesetzgebung während der Montage! Die Installation darf nur von befugten Angestellten oder Fachleuten ausgeführt werden.



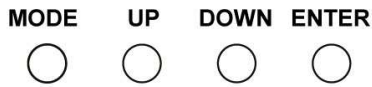
- Die Aufhängung des Geräts muss 10-mal das Eigengewicht 1 Stunde lang ohne Spuren von Verformung tragen können.
- Verwenden Sie immer das mitgelieferte Montagebügel, um das Gerät zu hängen.
- Das Gerät darf nur über den Montagebügel (nicht enthalten) an der mitgelieferten Hänge-/Befestigungsbügel installiert werden.
- Das Gerät muss immer mit Hilfe von Sicherheitsseil gesichert werden.
- Die Anlage muss immer mit einer zweiten Sicherheitsvorrichtung z.B. einem geeigneten Fallnetz/Sicherungsseil abgesichert werden. Die zweite Sicherheitsvorrichtung muss so gebaut sein, dass keine Teile des Geräts auf den Boden fallen können, falls die Hauptbefestigung nachgibt.
- Achten Sie drauf, dass sich während der Montage, Demontage und Wartung keine Personen unter dem Montageplatz befinden.
- Der Benutzer muss sicherstellen, dass alle sicherheitstechnischen Anlagen von einem Fachmann geprüft werden, bevor er die Anlage zum ersten Mal in Betrieb nimmt oder nach Änderungen der Anlage.
- Der Benutzer muss sicherstellen, dass die Anlage einmal im Jahr von einem Fachmann geprüft wird.
- Das Gerät muss an einem Ort angebracht werden, wo es nicht von Personen erreicht werden kann und wo sich keine Personen weder stehend noch sitzend aufhalte.



**VORSICHT:** Beim Installieren des Geräts darauf achten, dass sich keine brennbaren Materialien (Dekorationsartikel usw.) in weniger als 0,5m Entfernung befinden.



## DISPLAY



Die Konsole bietet verschiedene Funktionen wie: einfache Eingabe der Startadresse, wählen Sie Preset-Programm oder ein Reset. Das Hauptmenü wird durch Drücken der **Mode/Esc**-Taste aufgerufen, blättern Sie durch die Untermenüs durch **Up** oder **Down**-Taste.

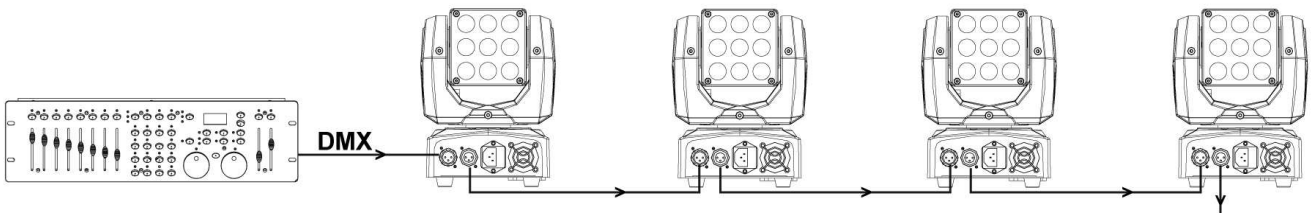
Drücken Sie die **Enter**-Taste, um das gewünschte Menü auszuwählen.

Sie können die Auswahl mit der Taste **Up** oder **Down**, ändern. Bestätigen Sie jede Auswahl mit der **Enter**-Taste.

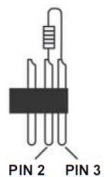
Sie können jeden Modus durch Drücken der **Mode/Esc**-Taste verlassen. Die Funktionen werden später in dieser Gebrauchsanleitung beschrieben.

## DMX-512 ANSCHLUSS

Wenn Sie einen standard Controller verwenden, können Sie den DMX-Ausgang des Controllers direkt mit dem DMX-Eingang des ersten Gerätes der DMX-Kette verbinden. Verbinden Sie immer einen Ausgang mit dem Eingang des nächsten Gerätes bis alle Geräte angeschlossen sind. Sollen DMX-Controller mit 5-polige XLR-Ausgängen angeschlossen werden, müssen 5-polige nach 3-polige Adapter verwendet werden.



| 3-Pin XLR 5-Pin XLR Konvertierung |                        |                     |
|-----------------------------------|------------------------|---------------------|
|                                   | 3-Pin XLR Female (Out) | 5-Pin XLR Male (In) |
| Masse / Schirm                    | Pin 1                  | Pin 1               |
| Data (- signal)                   | Pin 2                  | Pin 2               |
| Data (+ signal)                   | Pin 3                  | Pin 3               |
| Nicht benutzt                     |                        | Pin 4               |
| Nicht benutzt                     |                        | Pin 5               |



Achtung, Am letzten Gerät muss das DMX-Kabel durch einen Abschlusswiderstand abgeschlossen werden. Dazu wird ein XLR-Stecker in den DMX-Ausgang am letzten Gerät gesteckt, bei dem zwischen Signal (-) und Signal (+) ein 120 Ohm Widerstand eingelötet ist.

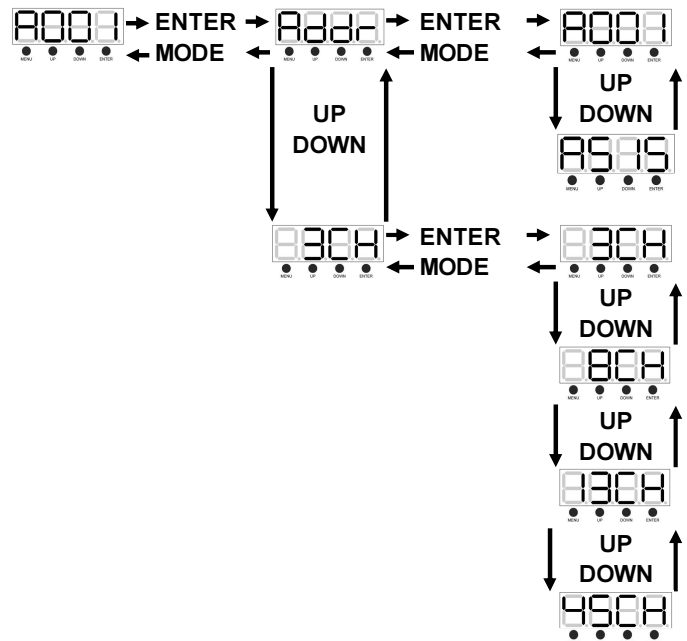
## DMX STARTADRES EN DMX MODE

Drücken Sie auf ENTER-Taste bis „A001“ erscheint auf dem Display.

Jetzt verwenden Sie „UP“ oder „DOWN“ Taste zum selektieren „DMX“ menü und bestätig mit „ENTER“.

„Addr“ erscheint auf dem Display und drücken Sie auf ENTER-Taste, Sie können jetzt die DMX start adresse ändern mit Tasten „UP“ oder „DOWN“ (A001-A512). Nach bestätigen mit „ENTER“ erscheint „SAVE“ auf dem Display.

Um DMX Kanäle Modus zu wählen, selektieren „CH3“ menü und bestätigen Sie mit „ENTER“. Drücken Sie auf „UP“ oder „DOWN“ und wählen Sie die Anzahl der DMX-Kanäle (3, 8, 13 oder 45 Kanäle). Nach bestätigen mit „ENTER“, erscheint „SAVE“ auf dem Display.

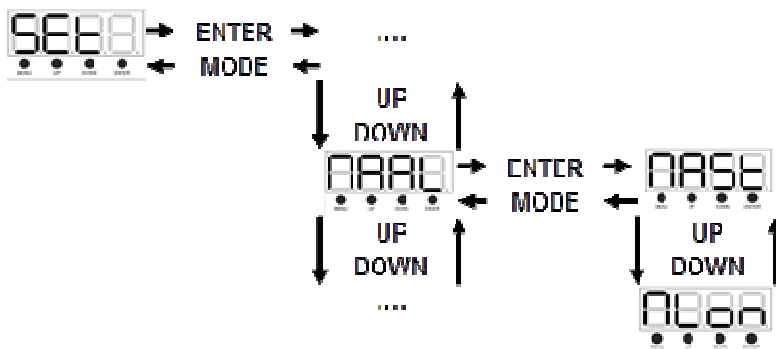


## MASTER/SLAVE OPERATION

1. Schließen Sie den (männlichen) 3-Pin-Stecker Seite des DMX-Kabel mit dem Ausgang (weiblich) 3-Pin-Anschluss des ersten Gerätes.

2. Verbinden Sie das Ende des Kabels von der ersten Geräte (Female) an den Eingangsanschluss des nächsten Gerätes (Male) und so weiter.

3. Drücken Sie die "Mode"-Taste bis Sie sehen "SET" auf dem Display und drücken Sie "ENTER"-Taste. Dann drücken Sie "UP" oder "DOWN" Taste zu "MAAL" angezeigt wird. Drücken Sie die "ENTER"-Taste und wählen "MAST" oder "ALON" und bestätigen Sie mit "ENTER"-Taste.



**ACHTUNG:** In einer Master / Slave-Konfiguration müssen Sie das erste Gerät einstellen auf Master und den nächsten Gerätes als "ALON", werden die Spielpläne synchron bewegen.

## FERNBEDIENUNG

Um den moving head einfach über die mitgelieferte IR-Fernbedienung steuern zu können, richten Sie die Fernbedienung auf die Vorderseite des moving head und der Abstand sollte nicht mehr als 9 Meter betragen.

**STAND BY** - Drücken dieser Taste, um den IR-Fernbedienungsmodus zu aktivieren. Auf dem Display erscheint "STOP".



**PAN/TILT** - Nach der Aktivierung die Fernbedienung durch Drücken von "Standby" können Sie die Pan / Tilt-Positionen ändern. Die Tilt-Position kann geändert werden, die 2 (oben) und 8 (unten) Tasten. Der Pan-Position kann geändert werden, die 4 (links) und 6 (rechts) Tasten.

**FULL ON** - Drücken dieser Taste um die Beleuchtungs-LED einzuschalten.



**GOBO** - Keine Funktion

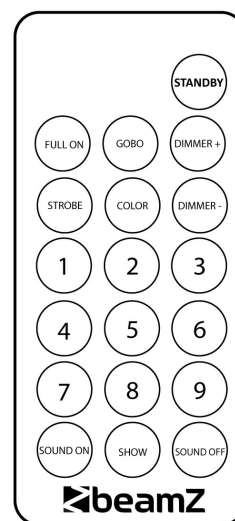
**"DIMMER +" und "DIMMER -"** - Drücken Sie diese Taste, um die Lichtintensität anzupassen.

**STROBE** - Drücken Sie diese Taste, Zum aktivieren des Stroboskop Effekts und wählen dann mit Hilfe der Nummerntasten 1-7 die Stroboskop-Geschwindigkeit.

**COLOR** - Drücken Sie diese Taste um die individuelle Farbe auszuwählen mittels wählen 1-4 Tasten. (1 Rot, 2 Grün; 3 Blau, 4 Weiß) Stellen Sie die Lichtintensität mit "DIMMER +" und "DIMMER -".

**SOUND ON & OFF** - Diese Taste aktiviert und deaktiviert die Betriebsart Musiksteuerung.

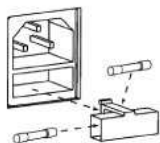
**SHOW** - Drücken Sie diese Taste, um eine vorprogrammierte Show zu wählen. Verwenden Sie die Tasten 1-7, um die eingebauten Programmen wählen.



## SICHERUNGSWECHSEL

Wenn die Feinsicherung des Gerätes defekt ist, darf diese nur durch eine Sicherung gleichen Typs ersetzt werden. Vor dem Sicherungswechsel ist das Gerät allpolig von der Netzspannung zu trennen (Netzsteckerziehen).

Vorgehensweise:



- Schritt 1: Öffnen Sie den Sicherungshalter an der Geräterückseite mit einem passenden Schraubendreher.
- Schritt 2: Entfernen Sie die defekte Sicherung aus dem Sicherungshalter.
- Schritt 3: Setzen Sie die neue Sicherung in den Sicherungshalter ein.
- Schritt 4: Setzen Sie den Sicherungshalter wieder im Gehäuse ein.

## REINIGUNG UND WARTUNG

Der inneren und äußeren optischen Linsen und / oder Spiegel müssen regelmäßig gereinigt werden, um die Lichtleistung zu optimieren. Die Häufigkeit der Reinigung hängt von der Umgebung, in der das: feuchte, verrauchte und besonders verschmutzte Umgebung führen zu größerer Verschmutzung auf den Linsen des Geräts verursachen.

- Stellen Sie sicher, dass der Bereich unterhalb des Geräts befinden sich keine unbefugten Personen im Servicefall.
- Alle Schrauben, mit denen das Gerät oder Geräteteile montiert sind, müssen fest sitzen und dürfen nicht korrodiert sein.
- An Gehäuse, Befestigungen und Montageort (Decke, Abhängung, Traverse) dürfen keine Verformungen sichtbar sein.
- Die elektrischen Anschlussleitungen dürfen keinerlei Beschädigungen, Materialalterung (z.B. poröse Leitungen) oder Ablagerungen aufweisen. Um den Laser vor Überhitzung Lüfter und Lüftungsschlitze sollten monatlich gereinigt werden, zu schützen.
- Das Objektiv und Spiegel sollten regelmäßig gereinigt werden. Diese Zeit ist abhängig von der vorhandenen Schmutz.
- Reinigen Sie es nur mit einem trockenen Tuch.
- Auf keinen Fall Alkohol oder irgendwelche Lösungsmittel zur Reinigung verwenden!
- Reinigen Sie das Objektiv sauber mindestens einmal im Monat.
- Änderungen, ohne dass Sie den vom Hersteller geändert informieren.

**ACHTUNG:** Wartungs- und Servicearbeiten sind ausschließlich dem autorisierten Fachhandel vorbehalten!



Enhorabuena por la compra de este efecto de luces Beamz. Por favor lea atentamente este manual antes de usar el aparato para disfrutar al completo de sus prestaciones.

Seguir las instrucciones le permite no invalidar la garantía. Tome todas las precauciones para evitar que se produzca fuego o una descarga eléctrica. Las reparaciones solo deben llevarse a cabo por técnicos cualificados para evitar descargas eléctricas. Guarde el manual para futuras consultas. Antes de usar el aparato, por favor pida consejo a un profesional. Cuando el aparato se enciende por primera vez, suele sentirse cierto olor. Esto es normal y desaparece al poco tiempo.

- Este aparato contiene piezas que llevan voltaje. Por lo tanto NO abra la carcasa.
- No coloque objetos metálicos o vierta líquidos dentro del aparato. Podría producir descargas eléctricas y fallos en el funcionamiento.
- No coloque el aparato cerca de fuentes de calor tipo radiadores, etc. No coloque el aparato en superficies vibratorias. No tape los agujeros de ventilación.
- Este aparato no está preparado para un uso continuado.
- Tenga cuidado con el cable de alimentación y no lo dañe. Un daño o defecto en el cable de alimentación puede producir una descarga eléctrica o fallo en el funcionamiento.
- Cuando desconecte el aparato de la toma de corriente, siempre tire de la clavija, nunca del cable.
- No enchufe o desenchufe el aparato con las manos mojadas.
- Si la clavija y/o el cable de alimentación están dañados, necesitan reemplazarse por un técnico cualificado.
- Si el aparato está dañado de modo que puedan verse sus partes internas, NO conecte el aparato a la toma de corriente y NO lo encienda. Contacte con su distribuidor. NO conecte el aparato a un reostato o dimmer.
- Para evitar un fuego o peligro de descarga, no exponga el aparato a la lluvia y a la humedad.
- Todas las reparaciones deben llevarse a cabo exclusivamente por técnicos cualificados.
- Conecte el aparato a una toma de corriente con toma de tierra (220-240Vca/50Hz) protegida por un fusible de 10-16A.
- Durante una tormenta o si el aparato no va a usarse durante un periodo largo de tiempo, desconéctelo de la toma de corriente. La regla es: Desconéctelo si no lo va a usar.
- Si el aparato no se ha usado en mucho tiempo puede producirse condensación. Deje el aparato a temperatura ambiente antes de encenderlo. Nunca utilice el aparato en ambientes húmedos o en el exterior.
- Durante el funcionamiento, la carcasa se calienta muchísimo. No la toque durante el funcionamiento o inmediatamente después.
- Para prevenir accidentes en las empresas, debe seguir las directrices aplicables y seguir las instrucciones.
- Asegure el aparato con una cadena de seguridad extra si el aparato se monta en un techo. Utilice un sistema de truss con ganchos. Asegúrese de que nadie permanece en el área de montaje. Monte el efecto a una distancia de al menos 50cm de materiales inflamables y deje un espacio de al menos 1 metro a cada lado para permitir que haya suficiente ventilación.
- Este aparato contiene LEDs de alta luminosidad. No mire a la luz del LED para evitar daños en su vista.
- No lo apague y encienda repetidamente. Esto acorta su tiempo de vida.
- Mantenga el aparato fuera del alcance de los niños. No deje el aparato sin vigilancia.
- No utilice sprays limpiadores para limpiar los interruptores. Los residuos de estos sprays producen depósitos de polvo y grasa. En caso de mal funcionamiento, siempre consulte a un profesional.
- Solo maneje el aparato con las manos limpias.
- No fuerce los controles.
- Si el aparato se ha caído, siempre haga que lo verifique un técnico cualificado antes de encenderlo otra vez.
- NO utilice productos químicos para limpiar el aparato. Dañan el barniz. Tan solo límpielo con un trapo seco.
- Manténgalo lejos de equipos electrónicos ya que pueden producir interferencias.
- Solo utilice recambios originales para las reparaciones, de otro modo pueden producirse daños serios y/o radiaciones peligrosas.
- Apague el aparato antes de desconectarlo de la toma de corriente y/o de otros equipos. Desconecte todos los cables y conexiones antes de mover el aparato.
- Asegúrese de que el cable de alimentación no puede dañarse cuando la gente lo pise. Compruebe el cable de alimentación antes de cada uso por si hay daños o defectos.
- El voltaje de funcionamiento es 220-240Vca/50Hz. Compruebe que la toma de corriente coincide. Si tiene que viajar, asegúrese de que el voltaje del país es el adecuado para este aparato.
- Guarde el embalaje original para poder transportar el aparato en condiciones seguras.



Esta señal advierte al usuario de la presencia de alto voltaje en el interior de la carcasa y que es de la suficiente magnitud como para producir una descarga eléctrica.



Esta señal advierte al usuario de que el manual contiene instrucciones importantes que han de leerse y seguirse al pie de la letra.



**NO MIRE DIRECTAMENTE A LA S LENTES.** Puede dañarle la vista. Las personas propensas a tener ataques epilépticos deben tener en cuenta los efectos que este efecto de luces puede tener en ellos.

Este aparato ha obtenido el certificado CE. Está prohibido hacer cambios en el aparato. Invalidaría el certificado CE y su garantía!

**NOTA:** Para asegurarse de que el aparato funcione correctamente, debe usarse en ambientes a una temperatura de entre 5°C/41°F y 35°C/95°F.



Los productos electrónicos no pueden tirarse a la basura normal. Por favor lleve este producto a un centro de reciclaje. Pregunte a la autoridad local en caso de duda. Las especificaciones son generales. Los valores actuales pueden variar de una unidad a otra. Las especificaciones pueden variar sin previo aviso.

*Nie próbuj dokonywać żadnych napraw samodzielnie, to spowoduje unieważnienie gwarancji. Gwarancja nie dotyczy uszkodzeń spowodowanych niewłaściwym użytkowaniem sprzętu, niezgodnie z instrukcją. Beamz nie jest odpowiedzialny za uszczerbek na zdrowiu oraz kontuzje spowodowane niestosowaniem się do zaleceń bezpieczeństwa. Dotyczy to wszelakich uszkodzeń.*

## INSTRUCCIONES DE DESEMBALAJE

**ATENCIÓN!** Inmediatamente después de recibir un dispositivo, desempaqué cuidadosamente la caja de cartón, compruebe el contenido para asegurarse de que todas las partes están presentes, y se han recibido en buenas condiciones. Notifique inmediatamente al transportista y conserve el material de embalaje para la inspección por si aparecen daños causados por el transporte o el propio envase muestra signos de mal manejo. Guarde el paquete y todos los materiales de embalaje. En el caso de que deba ser devuelto a la fábrica, es importante que el aparato sea devuelto en la caja de la fábrica y embalaje originales.

Si el aparato ha estado expuesto a grandes cambios de temperatura (tras el transporte), no lo enchufe inmediatamente. La condensación de agua producida podría dañar su aparato. Deje el dispositivo apagado hasta que se haya alcanzado la temperatura ambiente..

## FUENTE DE ALIMENTACIÓN

En la etiqueta de la parte trasera del controlador se indica el tipo de fuente de alimentación que debe ser conectado. Compruebe que la tensión de red corresponda a esto, todos los otros voltajes a la especificada, puede causar efectos irreparable. El controlador también debe estar conectado directamente a la red para ser utilizado. No en ninguna fuente de alimentación o dimmer ajustable.



Conecte siempre el producto a un circuito protegido (disyuntor o fusible). Asegúrese de que el producto tiene una toma de tierra adecuada para evitar el riesgo de electrocución o incendio.

## INSTALACIÓN



**PRECAUCIÓN:** Por favor, considere las normas nacionales respectivas durante la instalación! La instalación sólo debe ser realizada por un empleado autorizado o distribuidores!

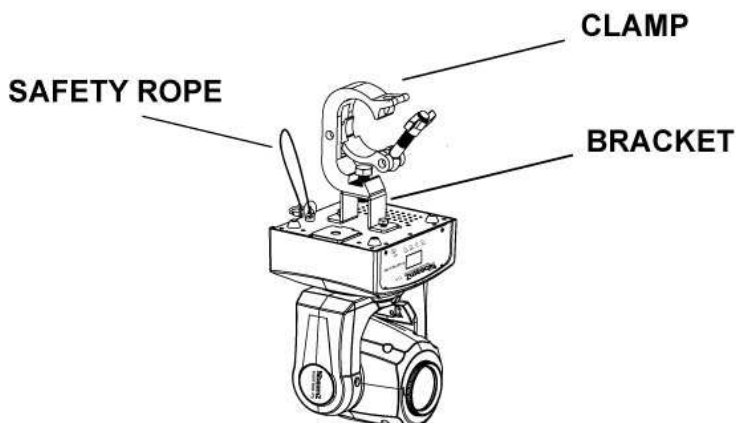


### Atención:

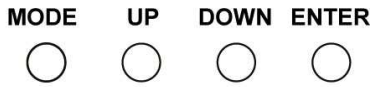
- La instalación del aparato debe ser de una manera que pueda soportar 10 veces su peso durante 1 hora sin sufrir deformaciones dañosas.
- La instalación siempre debe ser efectuada con un accesorio de seguridad secundario, por ejemplo, una red de anclaje adecuada. Este accesorio de seguridad secundario debe ser construido de una manera que ninguna parte de la instalación puede caer si falla el accesorio principal.
- Asegúrese de que el área por debajo del sitio de instalación está libre de personas ajenas durante el montaje, desmontaje y reparación.
- El operador tiene que asegurarse de que las instalaciones de seguridad y de máquinas son inspeccionadas por un perito antes de poner en funcionamiento por primera vez y antes de tomar otra puesta en marcha.
- El operador tiene que asegurarse de que las instalaciones de seguridad y de máquinas son inspeccionadas por un especialista una vez por año.
- El aparato debe instalarse en la posición en la que las personas no puedan llegar y donde las personas puedan caminar o sentarse.



**PRECAUCIÓN:** Al instalar el aparato, asegúrese de que no hay material altamente inflamable (artículos de decoración, etc.) en una distancia mínima de 0,5 metros.



## PANEL DE CONTROL (DISPLAY)



The El panel de control ofrece varias características: puede simplemente asignar la dirección de inicio, ejecutar el programa de pre-programado o hacer un reset.

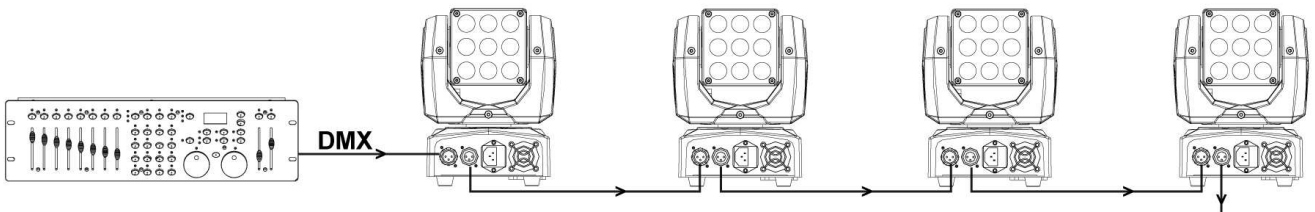
Al menú principal se accede pulsando la tecla **Modo/Esc**, se navega por el submenú pulsando arriba o abajo.

Pulse el botón **Enter** para seleccionar el menú deseado. Usted puede cambiar la selección pulsando arriba o abajo. Confirme cada selección pulsando la tecla Intro.

Puede abandonar cada modo pulsando el botón **Modo/Esc**. Las funciones previstas se describen más adelante en este manual.

## CONEXIÓN DMX-512

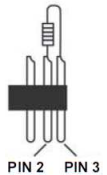
Si está utilizando un controlador DMX estándar, puede conectar la salida DMX del controlador directamente a la entrada DMX de la primera unidad en la cadena DMX. Siempre conecte la salida de una unidad con la entrada de la siguiente unidad hasta que todas las unidades estén conectadas



### Conectores 5-pin XLR DMX.

Algunos fabricantes utilizan cables de datos de 5-pin DMX-512 para la transmisión de datos en lugar de 3-pin. Los aparatos DMX de 5-pin se pueden implementar en una línea DMX de 3 pines. Al insertar cables de datos standards de 5 pines en una línea de 3 pines un adaptador de cable debe ser utilizado. La tabla a continuación detalla una conversión adecuada de cable.

| Conversión 3-Pin XLR to 5-Pin XLR |                        |                       |
|-----------------------------------|------------------------|-----------------------|
| Conductor                         | 3-Pin XLR Hembra (Out) | 5-Pin XLR Macho (In)  |
| Masa / Tierra                     | Pin 1                  | Pin 1                 |
| Enviar datos (- señal)            | Pin 2                  | Pin 2                 |
| Datos True (+ señal)              | Pin 3                  | Pin 3                 |
| No se utiliza                     |                        | Pin 4 – No se utiliza |
| No se utiliza                     |                        | Pin 5 – No se utiliza |



En el último aparato, el cable DMX tiene que finalizar. Soldar un resistor de 120 ohmios entre la señal (-) y la señal (+) en un conector XLR de 3 pines, que conectará a la salida DMX del último aparato en la cadena.

## DMX ADDRESS AND DMX MODE

Presione el botón "UP" o "DOWN" hasta que muestre "A001" en la pantalla y confirme con "ENTER".

Ahora utilice el botón "UP" o "DOWN" para seleccionar el modo dirección DMX o el modo DMX.

### Modo dirección DMX

Seleccione "Addr" y confirme con "ENTER".

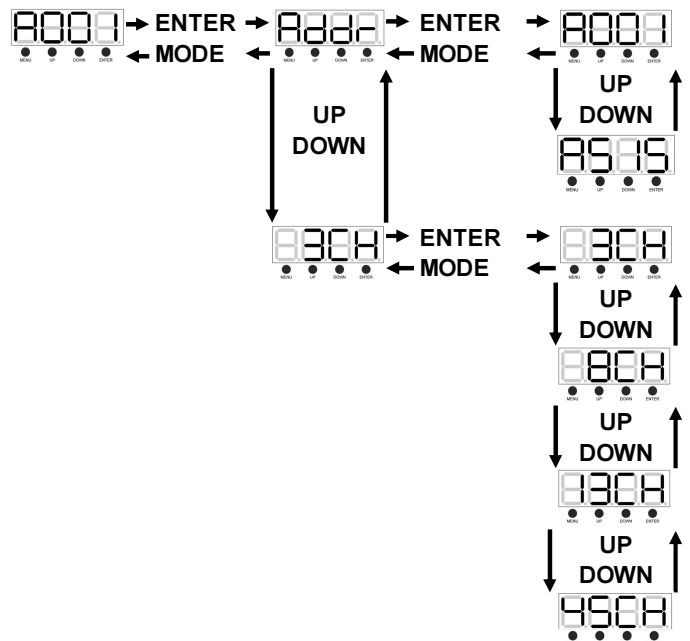
Ahora puede seleccionar la dirección inicial presionando el botón "UP" o "DOWN" para elegir un valor entre A001 y A512.

Confirme la dirección de inicio con "ENTER, se mostrará "SAVE" en el display.

### Modo DMX

Para cambiar el modo canal DMX, use el botón "UP" o "DOWN" para seleccionar el menú "CH3". Presione "ENTER" y use el botón "UP" o "DOWN" para seleccionar el modo DMX (3Ch, 8Ch, 13Ch, 45Ch).

Confirm DMX mode with "ENTER, "SAVE" will showed in the display.

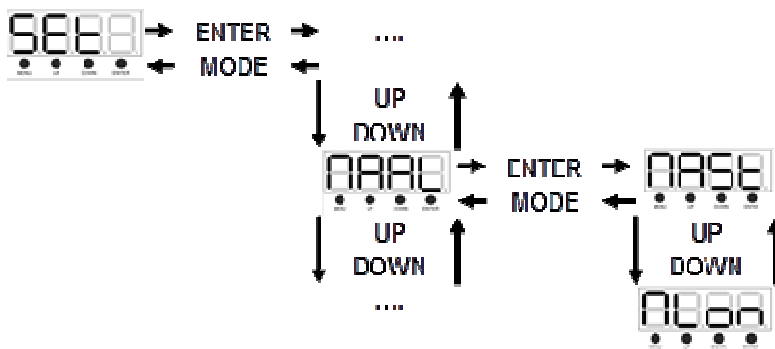


## CONEXION MAESTRO ESCLAVO

1. Conectar todos los aparatos con cable de 3 pines DMX, véase más arriba la sección "Conexión DMX-512".

2. Pulse el botón "MODE", la pantalla mostrará "SET" y confirme con "ENTER". Utilice el botón "UP" o "DOWN" hasta que la pantalla muestre "MAAL" y confirme con "ENTER" de nuevo.

3. Se puede elegir entre maestro (MASt) o esclavo (ALon). La primera unidad se debe activar por el



## CONTROL REMOTO

Para controlar la Cabeza Móvil fácilmente a través del mando a distancia suministrado, debe apuntar el control remoto hacia la parte delantera del aparato y no estar a más de 30 pies de distancia.

**STAND BY** – Presione este botón para activar el mando a distancia IR. La pantalla muestra "STOP".



**PAN/TILT** – Después de activar el mando a distancia IR presionando "STANDBY" se puede cambiar las posiciones de Pan / Tilt. La posición de inclinación se puede cambiar usando los botones 8 (down) y 2 (up). La posición Pan puede cambiarse usando los botones 6 (right) y 4 (left).

**FULL ON** - Pulsar este botón para encender la iluminación LED.



**GOBO** – Sin función

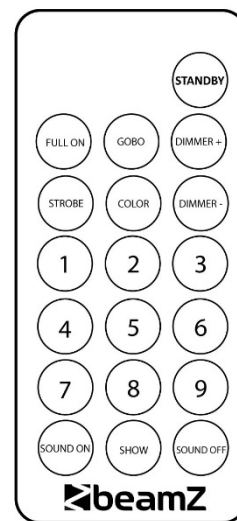
**"DIMMER +" y "DIMMER -"** – Pulsar este botón para ajustar el nivel de brillo.

**STROBE** - Presione este botón para activar el flash y seleccione la velocidad con los botones 1-7.

**COLOR** - Pulsar este botón para seleccionar el color individual a través de los botones 1-4. (1 rojo, 2 verdes, 3 azul; 4 blanco). Ajuste el nivel de brillo a través de "DIMMER +" y "DIMMER -".

**SOUND ON & OFF** - Estos botones activan y desactivan el modo sonido.

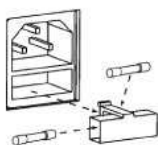
**SHOW** – Presione este botón para activar el modo de presentación. Use los botones 1-7 para seleccionar el programa incorporado deseado.



## CAMBIANDO EL FUSIBLE

Si el fusible está defectuoso, reemplace el fusible por un fusible del mismo tipo y valor. Antes de sustituir el fusible, desconectar de la corriente.

Procedimiento:



Paso 1: Abra el portafusibles del panel trasero con un destornillador adecuado.

Paso 2: Retire el fusible viejo del portafusibles.

Paso 3: Instale el fusible nuevo en el portafusibles.

Paso 4: Vuelva a colocar el portafusibles en la caja.

## LIMPIEZA

La limpieza de lentes y / o espejos internos y externos debe ser llevada a cabo periódicamente para optimizar la salida de luz. La frecuencia de limpieza depende del entorno en el que funcione el aparato: humedad, a humo o especialmente sucios rodea puede causar una mayor acumulación de polvo en las ópticas de la unidad.

- Asegúrese de que el área por debajo del sitio de instalación está libre de personas ajenas durante la reparación.
- Carcasas, fijaciones y puntos de instalación (techos, armaduras, suspensiones) deberán estar totalmente libres de ninguna deformación.
- Los cables de red deberán estar en perfecto estado y deberán reemplazarse inmediatamente cuando se detecta incluso un pequeño problema.
- Para proteger el aparato de sobrecalentamiento, los ventiladores de refrigeración (si las hubiera) y las aberturas de ventilación deberán limpiarse mensualmente.
- El interior del aparato debería ser limpiado anualmente usando una aspiradora o chorro de aire.
- Limpie con un paño suave utilizando un fluido normal de limpieza de cristales.
- Seque siempre las piezas con cuidado.
- Limpie las ópticas externas al menos cada mes. Limpie los elementos ópticos internos al menos cada 30/60 días..

**ATENCIÓN:** Se recomienda encarecidamente que la limpieza interna sea llevada a cabo por trabajador cualificado!

## SOLUCIÓN DE PROBLEMAS

Esta sección describe algunos problemas comunes que pueden ocurrir durante la operación y ofrece algunas sugerencias para resolver problemas sencillos:

| Síntoma   | Causa Potencial  | Remedios   |
|---|--|--|
| No hay luz o los ventiladores no funcionan.                                   | fusible fundido, conector defectuoso o cable dañado.   | Compruebe si el indicador de energía del dispositivo LED está encendido<br>Compruebe todas las conexiones de alimentación y cables.<br>Cambiar el fusible.   |
| No reacciona al ritmo de la música  | Activación por sonido desactivada.<br>Sensibilidad de activación del sonido muy baja.  | Asegúrese de que no está conectado a una señal DMX.<br>Ajustar la sensibilidad de activación de sonido.<br>Toque en el micrófono para comprobar su correcto funcionamiento.  |
| Uno de los canales de control no responde, o sólo responde intermitentemente. | Fallo en la configuración DMX o enlace<br>Daños en el motor o el paso conexión de cable entre la cabeza y el cuerpo.   | Véase la sección siguiente.<br>Contacte a su distribuidor Beamz autorizado por Tronios o centro de servicio de asistencia.   |
| No responde a control DMX   | Direccionamiento DMX incorrecto.<br>Fallo en la línea DMX, debido a conector dañado o cable, o interferencia de proximidad a una instalación de alto voltaje | Asegúrese que corresponden las direcciones DMX con la dirección establecida en el dispositivo de control DMX.<br>Compruebe todos los cables y conexiones DMX.<br>Asegúrese de que el enlace DMX se termina.<br>Que todos los componentes en línea DMX utilizan polaridad DMX estándar.<br>Intentar controlar el dispositivo con otro dispositivo de control DMX. |

Nous vous remercions d'avoir acheté un appareil Beamz. Veuillez lire la présente notice avant l'utilisation afin de pouvoir en profiter pleinement.

Veuillez lire la notice avant utilisation. Respectez impérativement les instructions afin de continuer à bénéficier de la garantie. Prenez toutes les précautions nécessaires pour éviter tout incendie ou décharge électrique. Seul un technicien spécialisé peut effectuer les réparations. Nous vous conseillons de conserver la présente notice pour pouvoir vous y reporter ultérieurement.

- Avant d'utiliser l'appareil, prenez conseil auprès d'un spécialiste. Lors de la première mise sous tension, il est possible qu'une odeur soit perceptible. C'est normal, l'odeur disparaîtra peu de temps après.
- L'appareil contient des composants porteurs de tension. N'OUVREZ JAMAIS le boîtier.
- Ne placez pas des objets métalliques ou du liquide sur l'appareil, cela pourrait causer des décharges électriques et dysfonctionnements.
- Ne placez pas l'appareil à proximité de sources de chaleur, par exemple radiateur. Ne positionnez pas l'appareil sur une surface vibrante. N'obtenez pas les ouïes de ventilation.
- L'appareil n'est pas conçu pour une utilisation en continu.
- Faites attention au cordon secteur, il ne doit pas être endommagé.
- Lorsque vous débranchez l'appareil de la prise secteur, tenez-le par la prise, ne tirez jamais sur le cordon.
- Ne branchez pas et ne débranchez pas l'appareil avec les mains mouillées.
- Seul un technicien spécialisé peut remplacer la fiche secteur et / ou le cordon secteur.
- Si l'appareil est endommagé et donc les éléments internes sont visibles, ne branchez pas l'appareil, NE L'ALLUMEZ PAS. Contactez votre revendeur. NE BRANCHEZ PAS l'appareil à un rhéostat ou un dimmer.
- Pour éviter tout risque d'incendie ou de décharge électrique, n'exposez pas l'appareil à la pluie ou à l'humidité.
- Seul un technicien habilité et spécialisé peut effectuer les réparations
- Branchez l'appareil à une prise 220-240 V/50 Hz avec terre, avec un fusible 10-16 A.
- Pendant un orage ou en cas de non utilisation prolongée de l'appareil, débranchez l'appareil du secteur.
- En cas de non utilisation prolongée de l'appareil, de la condensation peut être créée. Avant de l'allumer, laissez l'appareil atteindre la température ambiante. Ne l'utilisez jamais dans des pièces humides ou en extérieur.
- Pendant le fonctionnement, le boîtier est très chaud. Ne le touchez pas pendant le fonctionnement et juste après.
- Afin d'éviter tout accident en entreprise, vous devez respecter les conseils et instructions.
- Assurez l'appareil avec une élingue de sécurité s'il doit être monté au plafond. Utilisez un système de crochets. Assurez-vous que personne ne puisse se trouver sous l'appareil. Il doit être monté à 50 cm au moins de tout matériau inflammable et à un mètre au moins de toute surface pour garantir son bon refroidissement.
- Cet appareil contient des LEDs de grande intensité. Ne regardez pas directement les LEDs pour éviter tout troubles de la vision.
- N'allumez pas et n'éteignez pas l'appareil de manière répétée. Cela réduit sa durée de vie.
- Conservez l'appareil hors de la portée des enfants. Ne laissez pas l'appareil sans surveillance.
- N'utilisez pas d'aérosols pour nettoyer les interrupteurs. Les résidus créent des dépôts et de la graisse. En cas de dysfonctionnement, demandez conseil à un spécialiste.
- Ayez toujours les mains propres pour utiliser l'appareil.
- Ne forcez pas les réglages.
- Si l'appareil est tombé, faites-le toujours vérifier par un technicien avant de le rallumer.
- Pour nettoyer l'appareil, n'utilisez pas de produits chimiques qui abîment le revêtement, utilisez uniquement un tissu sec.
- Tenez toujours l'appareil éloigné de tout équipement électrique pouvant causer des interférences.
- Pour toute réparation, il faut impérativement utiliser des pièces d'origine, sinon il y a risque de dommages graves et / ou de radiations dangereuses.
- Eteignez toujours l'appareil avant de le débrancher du secteur et de tout autre appareil. Débranchez tous les cordons avant de déplacer l'appareil.
- Assurez-vous que le cordon secteur n'est pas abîmé si des personnes viennent à marcher dessus. Avant toute utilisation, vérifiez son état.
- La tension d'alimentation est de 220-240 V~/50 Hz. Vérifiez la compatibilité. Si vous voyagez, vérifiez que la tension d'alimentation du pays est compatible avec l'appareil.
- Conservez l'emballage d'origine pour pouvoir transporter l'appareil en toute sécurité.



CE symbole doit attirer l'attention de l'utilisateur sur les tensions élevées présentes dans le boîtier de l'appareil, pouvant engendrer une décharge électrique.



CE symbole doit attirer l'attention de l'utilisateur sur des instructions importantes détaillées dans la notice, elles doivent être lues et respectées.



**NE REGARDEZ PAS DIRECTEMENT LA LENTILLE.** Cela peut créer des troubles de la vision. Les personnes photosensibles et épileptiques doivent prendre en compte les effets que ce jeu de lumière peut causer.

Cet appareil porte le symbole CE. Il est interdit d'effectuer toute modification sur l'appareil. La certification CE et la garantie deviendraient caduques !

**NOTE:** Pour un fonctionnement normal de l'appareil, il doit être utilisé en intérieur avec une plage de température maximale autorisée entre 5°C/41°F et 35°C/95°F.



Ne jetez pas les produits électriques dans la poubelle domestique. Déposez-les dans une déchetterie. Demandez conseil aux autorités locales ou à votre revendeur. Données spécifiques. Les valeurs actuelles peuvent légèrement varier d'un appareil à l'autre. Tout droit de modification réservé sans notification préalable.

*N'essayez pas de réparer l'appareil vous-même. Vous perdriez tout droit à la garantie. Ne faites aucune modification sur l'appareil. Vous perdriez tout droit à la garantie. La garantie deviendrait également caduque en cas d'accidents ou dommages causés par une utilisation inappropriée de l'appareil ou un non respect des consignes présentes dans cette notice. Beamz ne pourrait être tenu responsable en cas de dommages matériels ou corporels causés par un non respect des consignes de sécurité et avertissements. Cela est également valable pour tous les dommages quelle que soit la forme.*

## DEBALLAGE

**ATTENTION !** Immédiatement après réception, vérifiez le contenu du carton et assurez-vous que tous les éléments sont bien présents et en bon état. Si besoin, faites les réserves nécessaires si le matériel ou les cartons sont endommagés. Si l'appareil doit être retourné, faites-le dans l'emballage d'origine.

Si l'appareil a été exposé à des fluctuations importantes de températures (par exemple après le transport), ne l'allumez pas immédiatement. De la condensation peut survenir. Laissez l'appareil éteint le temps qu'il atteigne la température ambiante.

## ALIMENTATION

Vous trouvez sur l'étiquette à l'arrière de l'appareil, le type d'alimentation à utiliser. Vérifiez que la tension d'alimentation corresponde à celle mentionnée. Toute autre alimentation peut endommager l'appareil. Reliez l'appareil au secteur, il est prêt à être utilisé. En aucun cas, vous ne devez utiliser de dimmer ou d'alimentation réglable.



Connectez toujours l'appareil à un circuit protégé (disjoncteur ou fusible). Assurez-vous que l'appareil soit correctement relié à la terre afin d'éviter tout risque d'électrocution ou d'incendie

## INSTALLATION



**ATTENTION :** Lors de l'installation, tenez compte des normes nationales respectives ! Seuls des revendeurs et installateurs habilités peuvent procéder à l'installation.

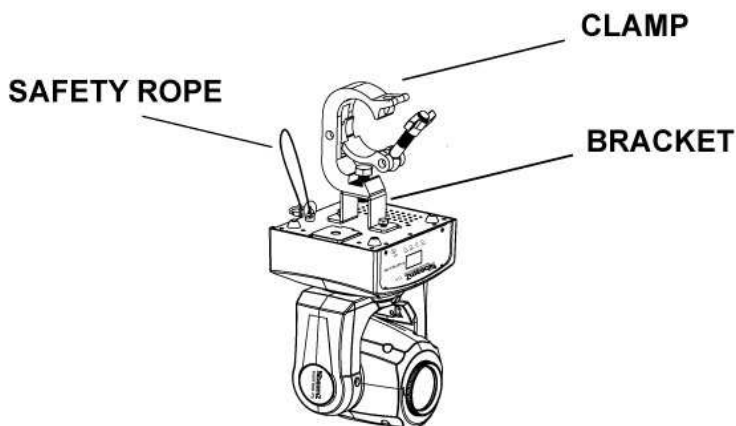


### Attention:

- L'installation de l'appareil doit être pensée et réalisée de telle sorte que le support de fixation puisse supporter 10 fois le poids de l'appareil pendant une heure sans aucune déformation.
- L'installation doit toujours être assurée par un second système de fixation, par exemple un filet ou une élingue. Ce second système doit être conçu de telle sorte que aucun élément de l'installation ne puisse tomber si la fixation principale venait à rompre.
- Assurez-vous que la zone sous l'emplacement de montage ne puisse pas accueillir de public pendant le montage, le démontage et l'utilisation.
- Le responsable du fonctionnement doit faire approuver par un expert les conditions d'installation et d'utilisation de l'appareil avant la première mise en service et après tout changement.
- Le responsable du fonctionnement doit faire approuver par un expert les conditions d'installation et d'utilisation de l'appareil, une fois par an.
- L'appareil doit être installé de telle sorte que personne ne puisse l'atteindre, passer dessous ou être assis.

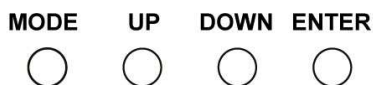


**ATTENTION :** Lorsque vous installez l'appareil, assurez-vous qu'il n'y a aucun matériau fortement inflammable (décorations par exemple) à 0,5 mètres au moins de l'appareil.





## AFFICHAGE



Le panneau de commande vous permet d'effectuer différents réglages : réglage de l'adresse de démarrage, gestion d'un programme pré-programmé, lancer un Reset. Le menu principal est accessible en appuyant sur la touche **Mode/Esc**, vous pouvez naviguer dans le sous-menu avec la touche **Up** ou **Down**.

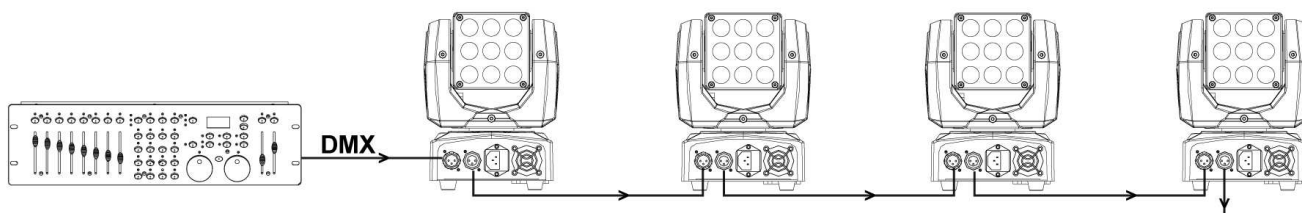
Appuyez sur la touche **Enter** pour choisir le menu souhaité.

Vous pouvez modifier la sélection en appuyant sur la touche **Up** ou **Down**. Confirmez la sélection en appuyant sur la touche **Enter**.

Vous pouvez quitter un mode en appuyant sur la touche **ModeEsc**. Les fonctions fournies sont décrits plus loin dans ce manuel.

## BRANCHEMENT DMX-512

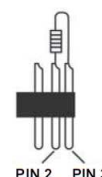
Si vous utilisez un contrôleur DMX classique, vous pouvez relier la sortie DMX du contrôleur directement à l'entrée DMX du premier appareil dans une chaîne DMX. Reliez toujours la sortie d'un appareil à l'entrée de l'appareil suivant jusqu'à ce que tous les appareils soient reliés.



### Connecteurs DMX XLR 5 pôles

Certains fabricants utilisent des cordons de transmission DMX-512 5 pôles pour la transmission des données à la place de cordons 3 pôles. Des appareils avec connexion DMX 5 pôles peuvent être utilisés dans une ligne DMX 3 pôles. Si vous utilisez des câbles de données 5 pôles dans une ligne 3 pôles, vous devez utiliser un adaptateur. Le tableau ci-dessous présente la modification du câble.

| Conversion XLR 3 pôles en XLR 5 pôles |                       |                         |
|---------------------------------------|-----------------------|-------------------------|
| Conducteur                            | XLR 3 P femelle (Out) | XLR 5 pôles mâle (In)   |
| Terre / blindage                      | Pin 1                 | Pin 1                   |
| Data - (- signal)                     | Pin 2                 | Pin 2                   |
| Data + (+ signal)                     | Pin 3                 | Pin 3                   |
| Non utilisé                           |                       | Pin 4 - ne pas utiliser |
| Non utilisé                           |                       | Pin 5 - ne pas utiliser |



Sur le dernier appareil, le cordon DMX doit être terminé par un bouchon. Soudez une résistance 120 ohms entre signal (-) et signal (+) sur une prise XLR 3 pôles et branchez-la à la sortie DMX du dernier appareil de la chaîne.

## ADRESSE ET MODE DMX

Appuyez sur la touche "**UP**" ou "**DOWN**" jusqu'à ce que "**A001**" soit affiché sur l'affichage et validez avec la touche "**ENTER**".

Maintenant, utilisez la touché "**UP**" ou "**DOWN**" pour sélectionnez le mode Adresse DMX et le mode canal DMX.

### Mode adresse DMX

Sélectionnez "**Addr**" et validez avec "**ENTER**".

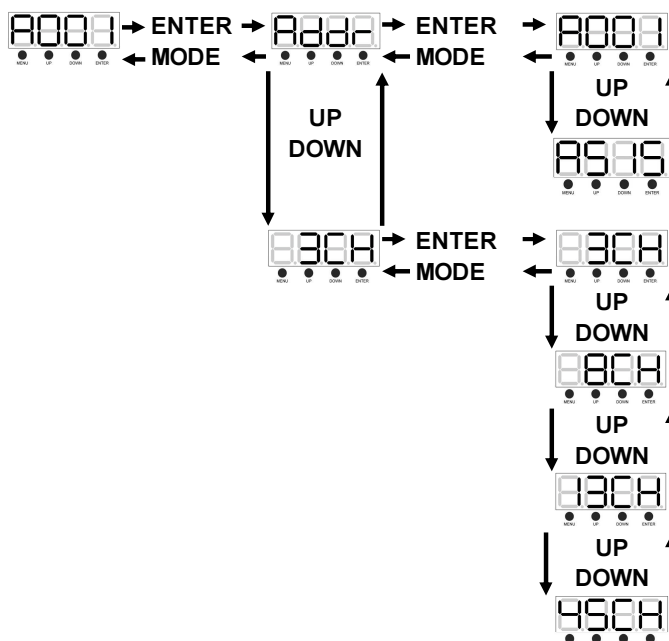
Vous pouvez maintenant sélectionner l'adresse de démarrage en appuyant sur "**UP**" ou "**DOWN**" et choisissez la valeur entre A001 et A512.

Confirmez l'adresse de démarrage avec "**ENTER**", "**SAVE**" est visible sur l'affichage.

### Mode DMX

Pour changer le mode Canal DMX, utilisez la touche "**UP**" ou "**DOWN**" pour sélectionner le menu "**CH3**". Appuyez sur "**ENTER**" et utilisez la touche "**UP**" ou "**DOWN**" pour sélectionner le mode DMX (3Ch, 8Ch, 13Ch, 45Ch).

Confirmez le mode DMX avec "**ENTER**", "**SAVE**" est visible sur l'affichage.



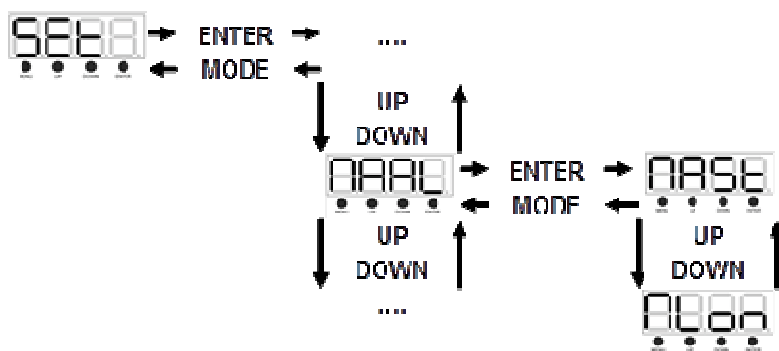


## APPAREIL MASTER SLAVE

1. Reliez tous les appareils avec un câble DMX 3 pins, voir point "Branchement DMX-512".

2. Appuyez sur la touche "MODE", l'affichage indique "SET" et confirmez avec "ENTER". Utilisez la touche "UP" ou "DOWN" jusqu'à ce que l'affichage indique "MAAL" et validez avec "ENTER" à nouveau.

3. Vous pouvez choisir entre Master (MASt) ou Slave (ALon). Le premier appareil doit être active par Master et tous les appareils suivant par Slave. Confirmez votre sélection avec "ENTER". Les appareils Slave vont désormais suivre l'appareil Master.



## TELECOMMANDE

Pour contrôler facilement la lyre avec la télécommande livrée, vous devez diriger la télécommande vers la face avant de l'appareil, distance maximale 5 m.

**STAND BY** - Appuyez sur la touche pour activer la télécommande. L'affichage indique "STOP".



**PAN/TILT** – Une fois la télécommande infrarouge activée en appuyant sur "STANDBY", vous pouvez modifier les positions Pan/Tilt. La position Tilt peut être modifiée en utilisant les touches 2 (up) et 8 (down). La position Pan peut être modifiée en utilisant la touche 4 (gauche) et 6 (droite).

**FULL ON** - Appuyez sur la touche pour activer l'éclairage des LEDs.



**GOBO** – Sans fonction

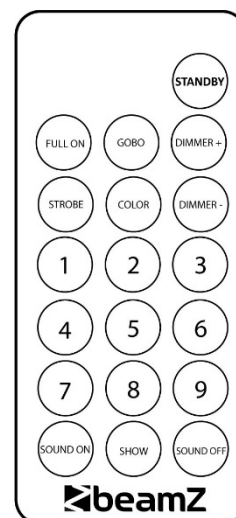
**"DIMMER +" et "DIMMER -"** – Appuyez sur la touche pour régler le niveau de luminosité.

**STROBE** - Appuyez sur la touche pour activer le strobe et sélectionnez la vitesse avec les touches 1 à 7.

**COLOR** - Appuyez sur la touche pour sélectionner la couleur individuelle via les touches 1 à 4 (1 rouge ; 2 vert ; 3 bleu ; 4 blanc). Réglez le niveau de luminosité via "DIMMER +" et "DIMMER -".

**SOUND ON & OFF** - Ces touches permettent d'activer et de désactiver le mode de gestion audio.

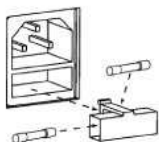
**SHOW** - Appuyez sur la touche pour activer le mode Show. Utilisez les touches 1 à 7 pour sélectionner vos programmes intégrés souhaités.



## REPLACEMENT DU FUSIBLE

Si le fusible est défectueux, il faut le remplacer par un fusible de même type et de même valeur. Avant de le remplacer, veillez à débrancher l'appareil.

Procédure:



Étape 1: Ouvrez le porte-fusible sur le panneau arrière avec un petit tournevis.

Étape 2: Retirez l'ancien fusible.

Étape 3: Placez le nouveau fusible dans le porte-fusible.

Étape 4: Remettez le porte-fusible dans le boîtier.

## NETTOYAGE

Le nettoyage des lentilles optiques internes et externes et / ou miroirs doit être fait régulièrement pour un rendu lumineux optimal. La fréquence de nettoyage dépend de l'environnement d'utilisation : de la poussière, fumée ou un environnement très sale peuvent générer une accumulation importante de salissures sur les optiques.

- Assurez-vous que personne ne se trouve sous l'emplacement d'installation pendant le nettoyage.
- Les boîtiers, fixations et éléments d'installation (plafond, structures, suspensions) ne doivent présenter aucune déformation.
- Le cordon secteur ne doit pas présenter de dommage ; si un problème est détecté, il doit être immédiatement être remplacé.
- Pour protéger l'appareil de toute surchauffe, les ventilateurs et ouïes d'aération doivent être nettoyés tous les mois.
- L'intérieur de l'appareil doit être nettoyé tous les ans avec un compresseur.
- Pour le nettoyage, utilisez un tissu doux et du liquide de nettoyage pour vitres usuel.
- Séchez correctement tous les éléments.
- Nettoyez les optiques externes tous les mois au moins. Nettoyez les optiques internes tous les 30 à 60 jours au moins.

**ATTENTION** : Nous recommandons fortement que le nettoyage intérieur soit fait par un technicien qualifié.

## PROBLEMES

Ce tableau décrit certains problèmes fréquents pouvant survenir pendant le fonctionnement et les solutions possibles pour y remédier.

| Problème   | Cause possible   | solutions   |
|--|--|---|
| Pas de lumière venant de l'appareil, les ventilateurs ne fonctionnent pas. | Problème d'alimentation : fusible fondu, connecteur défectueux, câble endommagé  | Vérifiez si la LED témoin de fonctionnement sur l'appareil brille. Vérifiez toutes les connexions et tous les câbles secteur. Remplacez le fusible.   |
| L'appareil ne réagit pas au rythme de la musique.                          | La gestion audio est désactivée. La sensibilité est trop basse pour la source de musique.  | Assurez-vous que l'appareil n'est pas relié à un signal DMX. Réglez la sensibilité du micro pour une gestion audio. Vérifiez le fonctionnement du microphone : l'appareil devrait réagir en mode gestion audio.   |
| Un des canaux de commande ne répond pas ou répond par intermittence.       | Erreur du réglage DMX ou de la connexion DMX. Moteur pas à pas endommagé, cordon entre la tête et le corps de l'appareil défectueux.   | Voir point suivant.<br>Contactez votre revendeur Tronios ou le service après-vente.   |
| L'appareil ne répond pas à la gestion DMX.                                 | Adressage DMX incorrect. Erreur dans la connexion DMX à cause d'un connecteur, d'un cordon défectueux ou interférences causées par une installation haute tension à proximité. | Assurez-vous que l'adresse DMX de l'appareil corresponde à l'adresse DMX de l'appareil. Vérifiez tous les câbles et branchements DMX. Vérifiez que tous les composants de la chaîne DMX utilisent la polarité DMX standard. Essayez d'utiliser l'appareil avec un autre contrôleur DMX. Si l'appareil est trop près d'une installation haute tension, déplacez-le ou mettez à la terre. |

Gratulujemy zakupu urządzenia marki BeamZ. Proszę o przeczytanie instrukcji przed użyciem urządzenia, aby jak najlepiej móc wykorzystać jego możliwości.

Przeczytaj tę instrukcję przed pierwszym użyciem urządzenia. Postępuj zgodnie z instrukcją, aby nie utracić gwarancji. Zwróć uwagę na wszystkie ostrzeżenia, aby uniknąć pożaru lub/ oraz porażenia prądem. Naprawy mogą być przeprowadzane jedynie przez autoryzowany serwis. Zatrzymaj tę instrukcję na wypadek potrzeby w przyszłości.

- Przed użyciem skonsultuj się ze specjalistą. Podczas pierwszego użycia urządzenie może wydzielić specyficzny zapach. To zupełnie normalne, zniknie po chwili.
- Urządzenie posiada podzespoły przewodzące prąd. Nie otwieraj obudowy urządzenia.
- Nie umieszczaj metalowych obiektów ani płynów w urządzeniu. Może to spowodować porażenie prądem lub uszkodzenie sprzętu.
- Nie umieszczaj w pobliżu takich źródeł ciepła jak grzejnik itd. Nie umieszczaj urządzenia na wibrującej powierzchni. Nie zasłaniaj kanałów wentylacyjnych.
- Urządzenie nie jest przeznaczone do ciągłej pracy.
- Pamiętaj, aby nie uszkodzić przewodu zasilającego. Uszkodzony przewód zasilający może spowodować porażenie prądem lub uszkodzenie sprzętu.
- Podczas wyjmowania wtyczki z gniazdka zawsze ciągnij za wtyczkę, nie za kabel.
- Nie wtykaj kabla mając mokre dłonie.
- Jeśli wtyczka lub/ oraz kabel zasilający jest uszkodzony, musi być wymieniony przez wykwalifikowaną osobę.
- Jeśli urządzenie jest uszkodzone na tyle, że widoczne są części wewnętrzne, nie podłączaj sprzętu do gniazdka, ani go nie uruchamiaj. Skontaktuj się z dystrybutorem. Nie podłączaj urządzenia do opornika bądź dimmera.
- Aby uniknąć porażenia prądem, nie wystawiaj urządzenia na działanie warunków atmosferycznych ani na wilgoć.
- Sprzęt może być naprawiany tylko w autoryzowanym serwisie.
- Podłączaj urządzenie do uziemionego źródła zasilania (220-240Vac/50Hz) z bezpiecznikiem 10-16A.
- Podczas burzy lub w sytuacjach, gdy urządzenie nie jest używane przez dłuższy czas, odłącz je od gniazdka. Zasada brzmi: odłącz sprzęt od gniazdka, gdy go nie używasz.
- Jeśli urządzenie nie było używane przez dłuższy czas, może wystąpić kondensacja. Pozwól na to, aby sprzęt osiągnął temperaturę pokojową. Nigdy nie używaj w wilgotnych pomieszczeniach, bądź na zewnątrz.
- Podczas użytkowania znacznie wzrasta temperatura obudowy. Nie dotykaj jej w czasie pracy, bądź natychmiast po wyłączeniu urządzenia.
- Aby uniknąć wypadków w pracy, wykonuj polecenia zawarte w tej instrukcji.
- Zabezpiecz urządzenie dodatkowym łańcuchem bezpieczeństwa. Używaj wysokiej jakości haków. Upewnij się, że nikt nie stoi w pobliżu okolicy montażu. Montuj sprzęt w odległości co najmniej 50cm od materiałów łatwopalnych i zachowuj co najmniej 1m wolnej przestrzeni z każdej strony, aby zapewnić odpowiednie chłodzenie
- Urządzenie posiada diody LED wysokiej mocy. Nie patrz bezpośrednio na diody, aby nie uszkodzić wzroku.
- Nie włączaj i wyłączaj urządzenia co chwilę. Skraca to jego żywotność.
- Trzymaj z dala od dzieci. Nie zostawiaj sprzętu bez opieki.
- Nie używaj spray'ów do czyszczenia przełączników. To powoduje osiadanie się kurzu oraz tłuszczu. W przypadku usterki zasięgnij rady u specjalisty. Obsługuj urządzenie mając czyste ręce.
- Nie naciskaj przycisków z zbyt dużą siłą.
- Jeśli urządzenie upadnie, przed kolejnym włączeniem zawsze musi być sprawdzone przez wykwalifikowanego technika.
- Nie używaj chemikaliów do czyszczenia obudowy. Niszczą one lakier. Dokonuj czyszczenia za pomocą suchej szmatki.
- Trzymaj z dala od innej elektroniki, która może spowodować zakłócenia.
- Podczas serwisu używaj tylko oryginalnych części. W innym przypadku może nastąpić poważne uszkodzenie sprzętu, lub niebezpieczne promieniowanie.
- Wyłącz urządzenie przed wyciągnięciem kabla zasilającego. Odłącz wszystkie kable przed przenoszeniem sprzętu.
- Upewnij się, że nikt nie uszkodzi kabla zasilającego. Sprawdź przed każdym użyciem, czy kabel zasilający nie nosi znamion uszkodzenia.
- Urządzenie może pracować przy napięciu 220-240Vac/50Hz. Jeśli podróżujesz ze sprzętem, sprawdź, czy możesz je bezpiecznie podłączyć do prądu.
- Zachowaj oryginalny karton, aby móc transportować urządzenie w bezpiecznych warunkach.



Ten znak zwraca uwagę użytkownika na wysokie napięcie, które jest obecne w środku obudowy urządzenia. Napięcie jest wystarczające, aby porazić użytkownika.



Ten znak zwraca uwagę użytkownika do ważnych informacji, które znajdują się w instrukcji. Informacje te powinny być przeczytane oraz uwzględnione w codziennym użytkowaniu.



**NIE PATRZ BEZPOŚREDNIO NA SOCZEWKĘ.** Może to spowodować uszkodzenie wzroku. Stroboskop może spowodować atak epilepsji!

Urządzenie posiada certyfikat CE. **Nie wolno** wprowadzać żadnych zmian w urządzeniu. Każda modyfikacja sprzętu spowoduje utratę certyfikatu CE oraz gwarancji!

**UWAGA:** Urządzenie może funkcjonować w pomieszczeniach o temperaturze pomiędzy 5°C/41°F oraz 35°C/95°F.



**WAŻNA INFORMACJA:** Urządzenia elektryczne muszą być składowane w miejscach do tego przeznaczonych. Sprawdź, gdzie w Twojej okolicy znajduje się najbliższe centrum recyklingu. Specyfikacja techniczna poszczególnych urządzeniach może się nieznacznie różnić. Specyfikacja może ulec zmian bez powiadomień.

*Nie próbuj dokonywać żadnych napraw samodzielnie, to spowoduje unieważnienie gwarancji. Gwarancja nie dotyczy uszkodzeń spowodowanych niewłaściwym użytkowaniem sprzętu, niezgodnie z instrukcją. Beamz nie jest odpowiedzialny za uszczerbek na zdrowiu oraz kontuzje spowodowane niestosowaniem się do zaleceń bezpieczeństwa. Dotyczy to wszelakich uszkodzeń.*

## NSTRUKCJA ROZPAKOWYWANIA

**OSTRZEŻENIE!** Natychmiast po odbiorze urządzenia, ostrożnie otwórz karton ochronny, oraz sprawdź zawartość i stan techniczny przedmiotu. Niezwłocznie powiadom kuriera oraz zachowaj opakowanie zewnętrzne do kontroli, jeśli jakkolwiek element zawartości wygląda na zniszczony w transporcie lub nosi objawy złego traktowania paczki. W takim wypadku należy niezwłocznie odesłać sprzęt do producenta. Sprzęt należy wysłać w oryginalnym opakowaniu.

Jeśli urządzenie było wystawione na działanie niskich temperatur (np. podczas transportu), nie uruchamiaj go od razu. Powstające zjawisko kondensacji widoy może uszkodzić urządzenie. Pozostaw urządzenie wyłączone, dopóki nie osiągnie temperatury pokojowej.

## ZASILANIE

Na naklejce z tyłu urządzenia znajduje się oznaczenie dotyczące rodzaju zasilania. Sprawdź, czy napięcie w gniazdku zgadza się z wymaganym przez producenta. Złe napięcie może spowodować nienaprawialne uszkodzenie urządzenia.



Zawsze podłączaj urządzenie do zabezpieczonego obwodu elektrycznego (za pomocą bezpiecznika lub wyłącznika instalacyjnego). Upewnij się, że urządzenie jest uziemione, aby uniknąć pożaru lub śmiertelnego porażenia prądem.

## INSTALACJA



**UWAGA:** Respektuj normy bezpieczeństwa dotyczące instalacji urządzenia. Instalacja może być przeprowadzona przez wykwalifikowanego pracownika bądź dystrybutora!

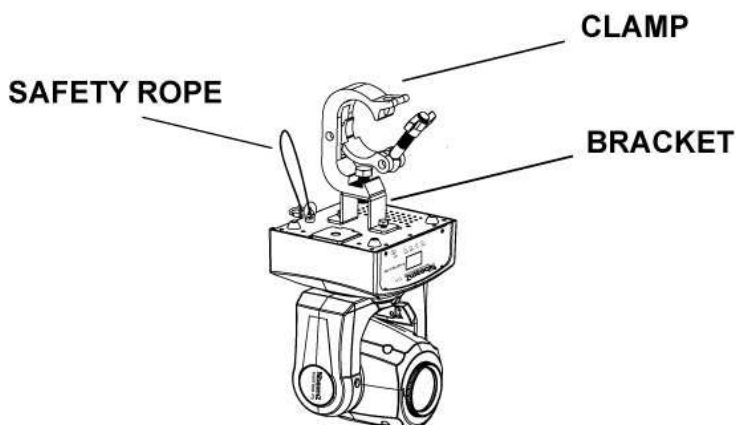


### Uwaga:

- Instalacja urządzenia powinna być przeprowadzona na konstrukcji, która jest w stanie utrzymać 10-krotność wagi sprzętu przez godzinę bez żadnych deformacji.
- Instalacja musi być zawsze dodatkowo zabezpieczona, np. linką bezpieczeństwa. Dodatkowe zabezpieczenie musi być skonstruowane w taki sposób, że żaden element instalacji nie spadnie w przypadku awarii głównego zabezpieczenia.
- Upewnij się, że przestrzeń pod instalacją jest wolna od osób postronnych podczas montażu, demontażu oraz serwisu.
- Operator musi się upewnić, że wszelkie instalacje są zaakceptowane przez eksperta przez użytkownikiem sprzętu. Takie instalacje muszą być kontrolowane co najmniej raz na rok.
- Urządzenie powinno być zamontowane w miejscu niedostępnym dla osób postronnych.



**UWAGA:** Podczas instalacji urządzenia upewnij się, że w pobliżu (0,5m od urządzenia) nie znajdują się materiały łatwopalne (np. dekoracje).



## WYŚWIETLACZ



MODE UP DOWN ENTER



Panel sterowania oferuje kilka funkcjonalności: możesz łatwo ustawić adresowanie DMX, włączyć gotowe programy lub zresetować urządzenie. Menu główne jest dostępne po naciśnięciu przycisku **Mode/Esc**. Możesz się poruszać w menu za pomocą przycisków **Up** oraz **Down**.

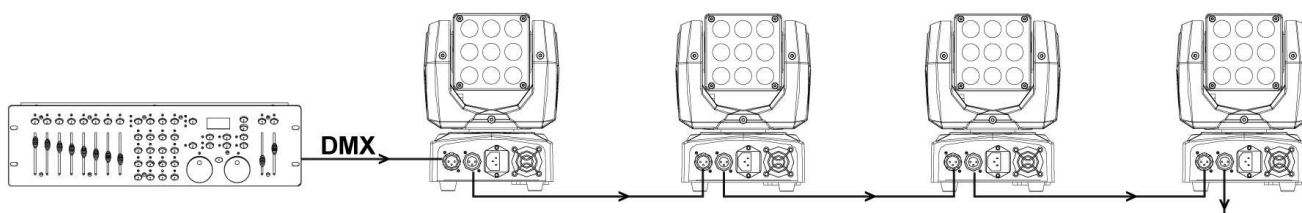
Naciśnij **Enter**, aby wybrać pożądany tryb.

Możesz zmienić wybór naciskając **Up** oraz **Down**. Potwierdź każdorazowo nowy wybór naciskając **Enter**.

Możesz opuścić tryb naciskając **Mode/Esc**. Funkcje urządzenia są opisane w dalszej części instrukcji.

## POŁĄCZENIE DMX512

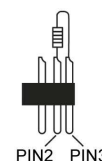
Jeśli używasz standardowego sterownika DMX, możesz podłączyć pierwsze urządzenie w łańcuchu do wyjścia DMX w sterowniku. Zawsze podłączaj urządzenia w łańcuchu DMX szeregowo (jak na poniższym obrazku).



### Złącza 5-pin XLR DMX.

Niektórzy producenci używają 5-pinowych gniazd DMX zamiast gniazd 3-pinowych. Takie urządzenia mogą być podłączone do standardowego łańcucha DMX. Trzeba zastosować jednak specjalny adapter. Tabela poniżej wyjaśnia prawidłową konwersję sygnału z wtyku 5-pinowego na wtyk 3-pinowy.

| 3-Pin XLR to 5-Pin XLR Conversion |                        |                     |
|-----------------------------------|------------------------|---------------------|
| Przewód                           | 3-Pin XLR Female (Out) | 5-Pin XLR Male (In) |
| Ekran/masa                        | Pin 1                  | Pin 1               |
| Sygnal -                          | Pin 2                  | Pin 2               |
| Sygnal +                          | Pin 3                  | Pin 3               |
| nie używany                       |                        | Pin 4 – nie używany |
| nie używany                       |                        | Pin 5 – nie używany |



W ostatnie urządzenie w łańcuchu DMX musi być wpięty terminator. Terminator jest to wtyk XLR, w którym 2 oraz 3 pin są połączone ze sobą opornikiem 120 Ohm.

## WYBÓR ADRESU DMX ORAZ LICZBY KANAŁÓW DMX.

Naciskaj przyciski **“UP”** lub **“DOWN”**, aż na wyświetlaczu pojawi się **“A001”** oraz naciśnij **“ENTER”**.

Następnie za pomocą przycisków **“UP”** lub **“DOWN”** wybierz adresowanie DMX lub zmianę liczby kanałów DMX.

### Adresowanie DMX

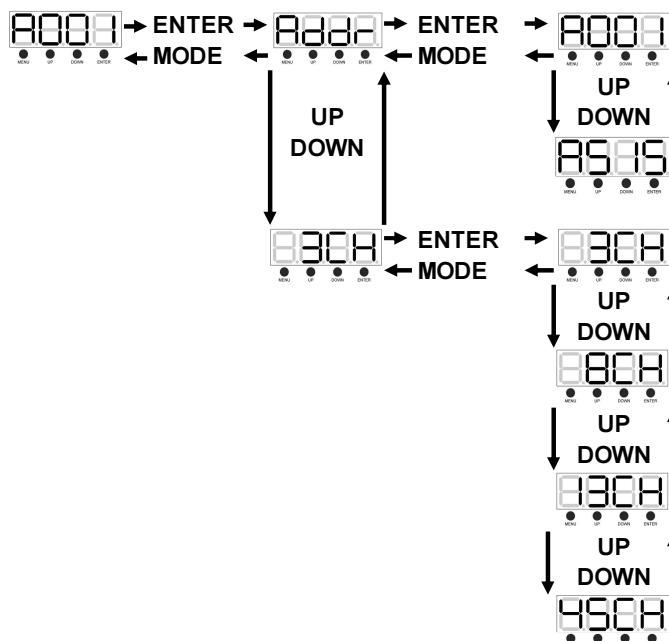
Wybierz **“Addr”** oraz naciśnij przycisk **“ENTER”**. Teraz możesz ustawić adres urządzenia naciskając **“UP”** lub **“DOWN”**. Wybierz adres z zakresu pomiędzy **A001** and **A512**.

Zatwierdź adres naciskając **“ENTER**, na wyświetlaczu pojawi się **“SAVE”**.

### Wybór liczby kanałów DMX

Aby zmienić liczbę kanałów DMX, naciskaj przyciski **“UP”** lub **“DOWN”** aż na wyświetlaczu pojawi się **“CH3”**. Naciśnij **“ENTER”** i za pomocą przycisków **“UP”** lub **“DOWN”** wybierz liczbę kanałów (3, 8, 13 lub 45 kanałów).

Potwierdź liczbę kanałów DMX, naciskając **“ENTER**. Na wyświetlaczu pojawi się **“SAVE”**.

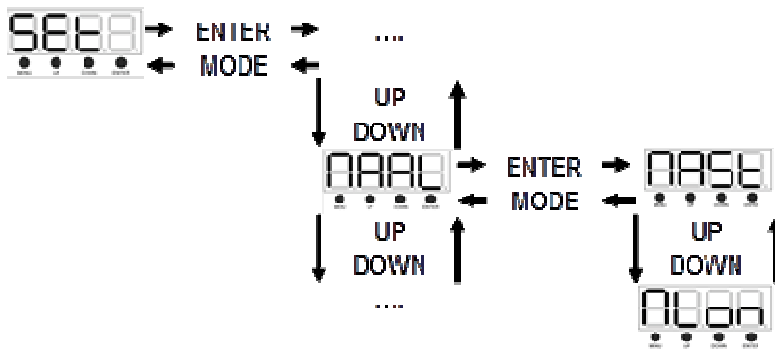


## POŁĄCZENIE MASTER-SLAVE

1. Połącz wszystkie urządzenia kablem DMX (sprawdź sekcję Tryb DMX512).

2. Naciśnij przycisk "MODE", na wyświetlaczu pojawi się "SET", następnie potwierdź naciskając "ENTER". Naciskaj "UP" lub "DOWN", aż na wyświetlaczu pojawi się "MAAL". Naciśnij ponownie "ENTER".

3. Masz do wyboru ustawienie Master(MAS) lub Slave (ALon). Pierwsze urządzenie w łańcuchu musi być aktywne jako Master, a pozostałe jako Slave. Potwierdź ustawienie przyciskiem "ENTER". Teraz wszystkie urządzenia Slave będą naśladować urządzenie Master.



## REMOTE CONTROL

Aby kontrolować ruchomą głowicę za pomocą pilota zdalnego sterowania, musisz celować pilotem w kierunku frontu urządzenia i znajdować się w odległości nie większej niż 10m..

**STAND BY** – Naciśnij ten przycisk, aby aktywować sterowanie pilotem IR. Na wyświetlaczu pojawi się „STOP”.



**PAN/TILT** – Po aktywacji sterowania pilotem, możesz zmienić pozycję Pan/Tilt. Pozycja Tilt może być zmieniona za pomocą przycisków 2 (UP) oraz 8 (DOWN). Pozycja Pan może być zmieniona za pomocą przycisków 4 (LEFT) oraz 6 (RIGHT).

**FULL ON** – Naciśnij ten przycisk, aby włączyć oświetlenie LED.



**GOBO** – Brak funkcji

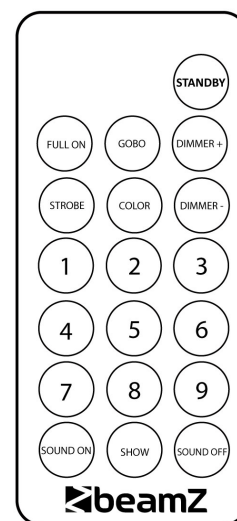
**"DIMMER +" and "DIMMER -"** – Naciskaj te przyciski, aby dopasować poziom jasności.

**STROBE** – Naciśnij ten przycisk, aby aktywować stroboskop oraz wybierz prędkość za pomocą przycisków 1-7.

**COLOR** – Naciśnij ten przycisk, aby wybrać indywidualny kolor za pomocą przycisków 1-4. (1 – czerwony; 2 – zielony; 3 – niebieski; 4 – biały). Dopasuj poziom jasności za pomocą przycisków "DIMMER +" oraz "DIMMER -".

**SOUND ON & OFF** – Te przyciski aktywują oraz dezaktywują tryb dźwiękowy.

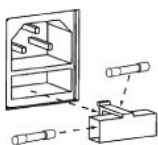
**SHOW** – Naciśnij ten przycisk, aby aktywować zaprogramowane pokazy. Używaj przycisków 1-7, aby wybrać spośród 7 wbudowanych pokazów.



## WYMIANA BEZPIECZNIKA

Jeśli bezpiecznik jest niesprawny, wymień go na nowy egzemplarz tego samego typu i wartości. Przed wymianą bezpiecznika wyciągnij kabel zasilający z gniazda.

Instrukcja:



Krok 1: Otwórz śrubokrętem zasłonkę bezpiecznika na tylnym panelu.

Krok 2: Wyciągnij bezpiecznik.

Krok 3: Włóż nowy bezpiecznik w obudowę.

Krok 4: Zasłoń obudowę bezpiecznika oryginalnym plastikiem.

## CZYSZCZENIE URZĄDZENIA

Czyszczenie wewnętrznej oraz zewnętrznej soczewki oraz/lub lusterek musi być przeprowadzane systematycznie, aby zapewnić najlepszą moc świecenia. Częstotliwość konserwacji zależy od środowiska, w jakim urządzenie jest użytkowane: wilgoć, dym oraz kurz mogą spowodować akumulację nieczystości na optykach.

- Upewnij się, że przestrzeń pod instalacją jest wolna od osób postronnych.
- Obudowy, miejsca montażu oraz konstrukcje powinny być wolne od jakichkolwiek deformacji.
- Kable zasilające powinny być w doskonałym stanie oraz powinny być wymienione natychmiast w przypadku jakiegokolwiek defektu.
- Aby zabezpieczyć urządzenie przed przegrzaniem, wentylatory (jeśli takie są) oraz kanały wentylacyjne powinny być czyszczone raz na miesiąc.
- Wnętrze urządzenia powinno być czyszczone corocznie za pomocą odkurzacza.
- Do czyszczenia sprzętu należy używać miękkiej szmatki oraz zwykłego płynu do mycia szyb.
- Ostrożnie osuszaj części.
- Dokonuj czyszczenia zewnętrznej soczewki co najmniej co miesiąc. Wewnętrzne soczewki powinny być czyszczone co 30/60 dni.

**UWAGA:** Wewnętrzne czyszczenie powinno być przeprowadzane przez wykwalifikowaną osobę.

## ROZWIĄZYWANIE PROBLEMÓW

Ta sekcja opisuje kilka powszechnych problemów, które mogą nastąpić podczas użytkowania urządzenia oraz zawiera przydatne informacje na temat łatwego rozwiązywania tych problemów.

| Objawy  | Potencjalna przyczyna  | Rozwiązanie   |
|---|--|---|
| Brak światła, wentylatory nie pracują.                    | Problem z zasilaniem, np., uszkodzony bezpiecznik, gniazdo zasilania lub kabel zasilający.   | Sprawdź, czy świeci się dioda zasilania.<br>Sprawdź wszystkie kable zasilające.<br>Wymień bezpiecznik   |
| Urządzenie nie reaguje na muzykę.                         | Tryb dźwiękowy wyłączony<br>Zbyt niska czułość mikrofonu   | Upewnij się, że urządzenie nie jest podłączone do sterownika DMX.<br>Wyreguluj czułość mikrofonu.<br>Uderzaj palcem w mikrofon, aby sprawdzić czy poprawnie reaguje na dźwięk.  |
| Jeden z kanałów DMX nie reaguje albo reaguje z przerwami. | Uszkodzony kabel DMX lub źle skonfigurowane połączenie DMX<br>Uszkodzony silnik krokowy lub połączenie pomiędzy głowicą a resztą urządzenia. | Sprawdź następną sekcję.<br>Skontaktuj się z najbliższym autoryzowanym serwisem.  |
| Urządzenie nie reaguje na sygnał DMX.                     | Niepoprawny adres DMX.<br>Uszkodzony kabel DMX, wtyk, bądź duże zakłócenia z sieci elektrycznej.   | Upewnij się, że urządzenie jest zaadresowane poprawnie.<br>Sprawdź, czy wszystkie wtyki oraz kable są sprawne.<br>Sprawdź, czy łańcuch DMX jest zakończony terminatorem.<br>Sprawdź, czy wszystkie kable mają tę samą polaryzację.<br>Spróbuj kontrolować urządzenie za pomocą innego sterownika DMX.<br>Przenieś lub zekranuj kable, jeśli są blisko nieekranowanej instalacji wysokiego napięcia. |

# DMX CHANNELS / DMX KANALEN / DMX-KANÄLE / CANALES DMX / CANAUX DMX / KANAŁÓW DMX

## 3 Channels

| Channel | Function | Value   | Description                |
|---------|----------|---------|----------------------------|
| 1       | Pan      | 000-255 | Adjust Pan motor movement  |
| 2       | Tilt     | 000-255 | Adjust Tilt motor movement |
| 3       | Dimmer   | 000-255 | Dimmer 0-100%              |

## 8 Channels

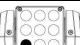

| Channel | Function          | Value   | Description                               |
|---------|-------------------|---------|---|
| 1       | Pan               | 000-255 | Adjust Pan motor movement                 |
| 2       | Pan fine          | 000-255 | Adjust Pan fine movement                  |
| 3       | Tilt              | 000-255 | Adjust Tilt movement                      |
| 4       | Tilt fine         | 000-255 | Adjust Tilt fine movement                 |
| 5       | Speed             | 000-255 | Speed pan/tilt fast to slow               |
| 6       | Dimmer            | 000-255 | Dimmer 0-100%                             |
| 7       | Colour & Programs | 000-049 | No function                               |
|         |                   | 050-059 | Red                                       |
|         |                   | 060-069 | Green                                     |
|         |                   | 070-079 | Blue                                      |
|         |                   | 080-089 | White                                     |
|         |                   | 090-099 | Yellow                                    |
|         |                   | 100-109 | Cyan                                      |
|         |                   | 110-119 | Purple                                    |
|         |                   | 120-129 | All white (changeable via "REC" function) |
|         |                   | 130-139 | Empty                                     |
|         |                   | 140-149 | Program 1                                 |
|         |                   | 150-159 | Program 2                                 |
|         |                   | 160-169 | Program 3                                 |
|         |                   | 170-179 | Program 4                                 |
|         |                   | 180-189 | Program 5                                 |
|         |                   | 190-199 | Program 6                                 |
|         |                   | 200-209 | Program 7                                 |
| 210-219 | Program 8         |         |   |
| 220-229 | Program 9         |         |   |
| 230-233 | Empty             |         |   |
| 234-236 | Reset             |         |   |
| 237-249 | Empty             |         |   |
| 250-255 | Sound mode        |         |   |
| 8       | Speed/Sensitivity | 000-255 | From slow to fast                         |



## 13 Channels

| Channel | Function          | Value   | Description                               |
|---------|-------------------|---------|---|
| 1       | Pan               | 000-255 | Adjust Pan motor movement                 |
| 2       | Pan fine          | 000-255 | Adjust Pan fine movement                  |
| 3       | Tilt              | 000-255 | Adjust Tilt movement                      |
| 4       | Tilt fine         | 000-255 | Adjust Tilt fine movement                 |
| 5       | Speed             | 000-255 | Speed pan/tilt fast to slow               |
| 6       | Dimmer            | 000-255 | Dimmer 0-100%                             |
| 7       | Strobe            | 000-009 | No function                               |
|         |                   | 010-255 | Strobe from slow to fast                  |
| 8       | Colour            | 000-255 | Red 0-100%                                |
| 9       |                   | 000-255 | Green 0-100%                              |
| 10      |                   | 000-255 | Blue 0-100%                               |
| 11      |                   | 000-255 | White 0-100%                              |
| 12      | Colour & Programs | 000-049 | No function                               |
|         |                   | 050-059 | Red                                       |
|         |                   | 060-069 | Green                                     |
|         |                   | 070-079 | Blue                                      |
|         |                   | 080-089 | White                                     |
|         |                   | 090-099 | Yellow                                    |
|         |                   | 100-109 | Cyan                                      |
|         |                   | 110-119 | Purple                                    |
|         |                   | 120-129 | All white (changeable via "REC" function) |
|         |                   | 130-139 | Empty                                     |
|         |                   | 140-149 | Program 1                                 |
|         |                   | 150-159 | Program 2                                 |
|         |                   | 160-169 | Program 3                                 |
|         |                   | 170-179 | Program 4                                 |
|         |                   | 180-189 | Program 5                                 |
|         |                   | 190-199 | Program 6                                 |
|         |                   | 200-209 | Program 7                                 |
|         |                   | 210-219 | Program 8                                 |
|         |                   | 220-229 | Program 9                                 |
|         |                   | 230-233 | Empty                                     |
| 234-236 | Reset             |         |   |
| 237-249 | Empty             |         |   |
| 250-255 | Sound mode        |         |   |
| 13      | Speed/Sensitivity | 000-255 | From slow to fast                         |

## 45 Channels

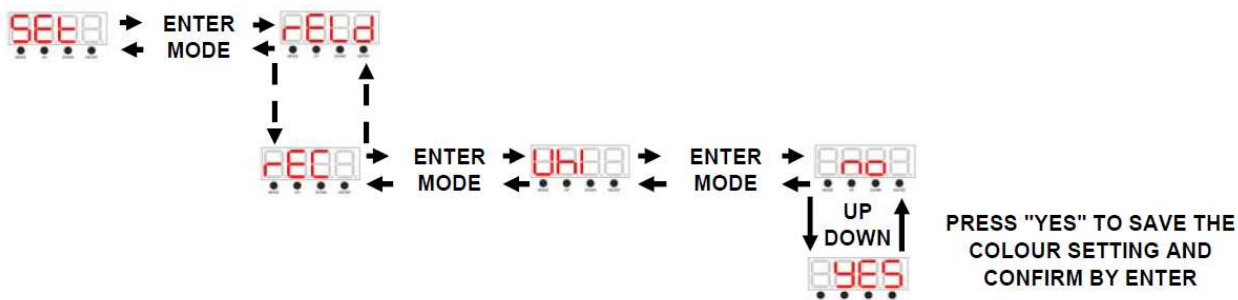
| Channel | Function         |   | Value        | Description                 |
|---------|------------------|---|--------------|-----------------------------|
| 1       | Pan              |   | 000-255      | Adjust Pan motor movement   |
| 2       | Pan fine         |   | 000-255      | Adjust Pan fine movement    |
| 3       | Tilt             |   | 000-255      | Adjust Tilt movement        |
| 4       | Tilt fine        |   | 000-255      | Adjust Tilt fine movement   |
| 5       | Speed            |   | 000-255      | Speed pan/tilt fast to slow |
| 6       | Dimmer           |   | 000-255      | Dimmer 0-100%               |
| 7       | Strobe           |   | 000-009      | No function                 |
|         |                  |   | 010-255      | Strobe from slow to fast    |
| 8       | Colour<br>Lens 1 |    | 000-255      | Red 0-100%                  |
|         |                  | 000-255   | Green 0-100% |                             |
|         |                  |    | 000-255      | Blue 0-100%                 |
|         |                  |    | 000-255      | White 0-100%                |
| 12      | Colour<br>Lens 2 |    | 000-255      | Red 0-100%                  |
| 13      |                  |   | 000-255      | Green 0-100%                |
| 14      |                  |   | 000-255      | Blue 0-100%                 |
| 15      |                  |   | 000-255      | White 0-100%                |
| 16      | Colour<br>Lens 3 |    | 000-255      | Red 0-100%                  |
| 17      |                  |   | 000-255      | Green 0-100%                |
| 18      |                  |   | 000-255      | Blue 0-100%                 |
| 19      |                  |   | 000-255      | White 0-100%                |
| 20      | Colour<br>Lens 4 |    | 000-255      | Red 0-100%                  |
| 21      |                  |   | 000-255      | Green 0-100%                |
| 22      |                  |   | 000-255      | Blue 0-100%                 |
| 23      |                  |   | 000-255      | White 0-100%                |
| 24      | Colour<br>Lens 5 |    | 000-255      | Red 0-100%                  |
| 25      |                  |   | 000-255      | Green 0-100%                |
| 26      |                  |   | 000-255      | Blue 0-100%                 |
| 27      |                  |   | 000-255      | White 0-100%                |
| 28      | Colour<br>Lens 6 |  | 000-255      | Red 0-100%                  |
| 29      |                  |   | 000-255      | Green 0-100%                |
| 30      |                  |   | 000-255      | Blue 0-100%                 |
| 31      |                  |   | 000-255      | White 0-100%                |
| 32      | Colour<br>Lens 7 |  | 000-255      | Red 0-100%                  |
| 33      |                  |   | 000-255      | Green 0-100%                |
| 34      |                  |   | 000-255      | Blue 0-100%                 |
| 35      |                  |   | 000-255      | White 0-100%                |
| 36      | Colour<br>Lens 8 |  | 000-255      | Red 0-100%                  |
| 37      |                  |   | 000-255      | Green 0-100%                |
| 38      |                  |   | 000-255      | Blue 0-100%                 |
| 39      |                  |   | 000-255      | White 0-100%                |
| 40      | Colour<br>Lens 9 |  | 000-255      | Red 0-100%                  |
| 41      |                  |   | 000-255      | Green 0-100%                |
| 42      |                  |   | 000-255      | Blue 0-100%                 |
| 43      |                  |   | 000-255      | White 0-100%                |

## 45 Channels

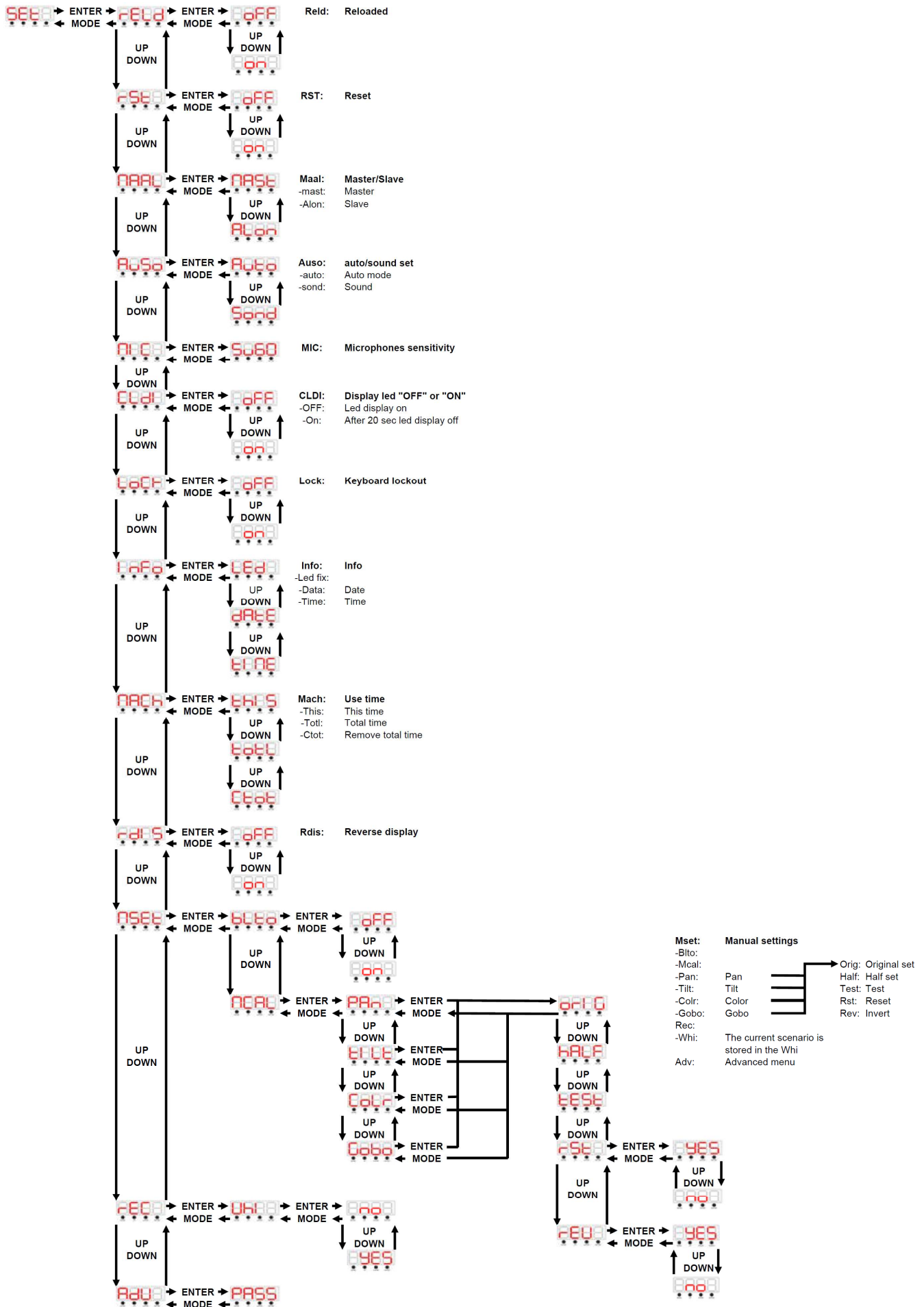
| Channel | Function          | Value   | Description                               |
|---------|-------------------|---------|---|
| 44      | Colour & Programs | 000-049 | No function                               |
|         |                   | 050-059 | Red                                       |
|         |                   | 060-069 | Green                                     |
|         |                   | 070-079 | Blue                                      |
|         |                   | 080-089 | White                                     |
|         |                   | 090-099 | Yellow                                    |
|         |                   | 100-109 | Cyan                                      |
|         |                   | 110-119 | Purple                                    |
|         |                   | 120-129 | All white (changeable via "REC" function) |
|         |                   | 130-139 | Empty                                     |
|         |                   | 140-149 | Program 1                                 |
|         |                   | 150-159 | Program 2                                 |
|         |                   | 160-169 | Program 3                                 |
|         |                   | 170-179 | Program 4                                 |
|         |                   | 180-189 | Program 5                                 |
|         |                   | 190-199 | Program 6                                 |
|         |                   | 200-209 | Program 7                                 |
|         |                   | 210-219 | Program 8                                 |
|         |                   | 220-229 | Program 9                                 |
|         |                   | 230-233 | Empty                                     |
| 234-236 | Reset             |         |   |
| 237-249 | Empty             |         |   |
| 250-255 | Sound mode        |         |   |
| 45      | Speed/Sensitivity | 000-255 | From slow to fast                         |

## REC FUNCTION

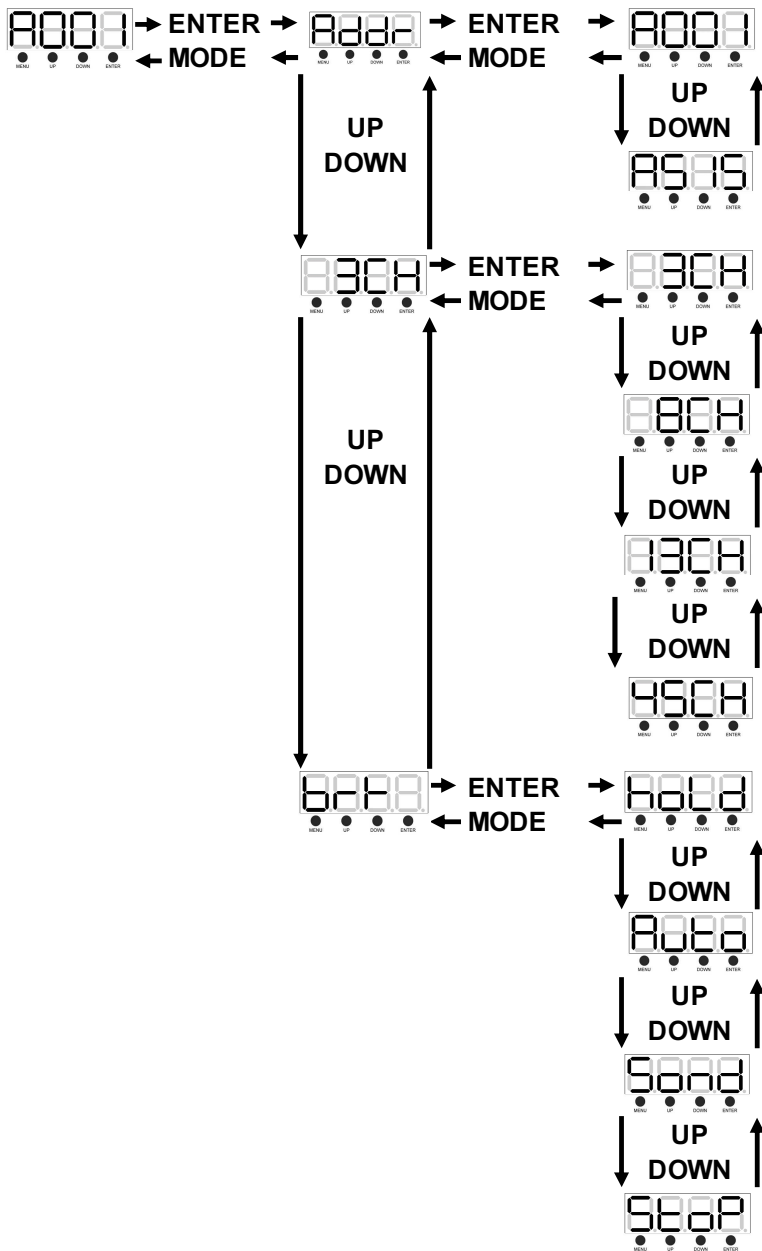
To change the colour for DMX channel 3, 8, 13 and 45 with value 120-129. Make the colour setting via DMX controller and follow the below steps in display.



# MENU / MENÜ / MENÚ



## DMX Menu



|              |                       |
|--------------|-----------------------|
| <b>DMX:</b>  | <b>DMX Menu</b>       |
| <b>Addr:</b> | <b>1 - 512</b>        |
| <b>Chs:</b>  | <b>Channel mode</b>   |
| <b>Brk:</b>  | <b>Mode if no DMX</b> |
| -Stop        | Stop running          |
| -Hold        | Keep running          |
| -Auto        | Auto running          |
| -Sond        | Sound running         |
| Disp:        | DMX display           |
| -Addr        | Display DMX address   |
| -Valu        | Display DMX Value     |

## TECHNICAL SPECIFICATION / TECNISCHE SPECIFICATIE / TECHNISCHE DATEN / ESPECIFICACIONES TÉCNICAS / SPÉCIFICATIONS TECHNIQUES / SPECYFIKACJA TECHNICZNA

|                     |  |
|---------------------|--|
| Rated voltage       | : AC220~240V 50/60Hz                             |
| Rated power         | : 150W   |
| LED                 | : 9 x 15W RGBW CREE LED                          |
| DMX Channels        | : 3, 8, 13 or 45 Channels                        |
| Pan movement        | : 540°   |
| Tilt movement       | : 220°   |
| Function            | : DMX, Auto, Sound active, IR, and Master-Slave. |
| Dimensions per unit | : 220 x 320 x 425mm                              |
| Weight (per unit)   | : 6.1 kg   |

The specifications are typical. The actual values can slightly change from one unit to the other. Specifications can be changed without prior notice.





**tronios**  
Sound & Light

## CE Declaration of Conformity

Manufacturer: TRONIOS BV  
Bedrijvenpark Twente 415  
7602 KM – ALMELO  
+31(0)546589299  
+31(0)546589298  
The Netherlands

Product number: 150.315

Product Description: Matrix33 3x3 15W Quad moving head

Trade Name: BEAMZ

Regulatory Requirement: EN 55015:2013  
EN 61547:2009  
EN 61000-3-2:2006+A1:2009+A2:2009  
EN 61000-3-3:2013  
EN 60598-2-17:1989+A2:1991  
EN 60598-1:2008+A11:2009  
EN 62471:2008

The product meets the requirements stated in Directives 2014/35/EU and 2014/30/EU and conforms to the above mentioned Declarations.

Almelo,

11-02-2016

Name : *B. Kusters*  
Controller regulations

Signature :

Specifications and design are subject to change without prior notice..

**[www.tronios.com](http://www.tronios.com)**

Copyright © 2016 by TRONIOS the Netherlands